



2012
WOMEN'S
BICYCLES

cannondale

INTRO

WE'RE IN THIS TOGETHER.

You know what we mean. When you pull up next to another woman cyclist and share that moment of acknowledgement? That moment of respect. That moment of “Yep, we’re doing this!” You offer a compliment or encouragement.

That’s what we’re trying to achieve one rider at a time. Spread the knowledge. Enable participation. Encourage. Support. Share.

Whether you’re a seasoned rider or someone picking up this catalog with a burning curiosity, there’s something in the Cannondale bike line that perfectly suits the type of riding you want to do. We refer to this as the Perfect Ride. And by that we mean the Perfect Ride for you.

Whether you’re looking for a casual spin with some essentials in a handlebar basket; you’ve decided to commute to work on two wheels; or you’re an experienced racer looking for an upgrade, we have the bike for you. Your Perfect Ride.

It’s Perfect because we made it with you in mind from the ground up, using Cannondale innovation. With consideration for things as diverse as a woman’s physique, hand size, standover clearance, riding styles, even graphic preferences. And now it’s waiting for you.

We’re Creating the Perfect Ride. For us.

SUPERSIX WOMEN'S

PRIMA. DONNA.

ROAD
MOUNTAIN
RECREATION/URBAN
WOMEN'S
SPECIFICATIONS

VICTORIES & AWARDS



SUPERSIX WOMEN'S IS OUR SALUTE TO ELITE WOMEN RACERS EVERYWHERE. WITH ADVANCED CARBON TECHNOLOGY, WOMEN'S SPECIFIC SPECS AND FIT, IT'S ALSO OUR WAY OF RECOGNIZING THE PHENOMENAL THINGS WOMEN CAN DO WHEN GIVEN THE RIGHT TOOLS.



2RWSIC

SUPERSIX WOMEN'S D12 ULTEGRA

EXPOSED CARBON, NEARLY BLACK
W/ MAGNESIUM WHITE AND FINE SILVER (GLOSS) (GRY).

FRAME	SUPERSIX WOMEN'S, FULL CARBON, D12 SPECIFIC
FORK	SUPERSIX, FULL CARBON
WHEELS	MAVIC KSYRIUM SL

TIRES	SCHWALBE ULTREMO ZX, 700X23C, FOLDING
CRANKS	FSA SL-K LIGHT CARBON BB30, 50/34
DERAILLEURS	SHIMANO D12 ULTEGRA

SHIFTERS	SHIMANO D12 ULTEGRA
BRAKES	SHIMANO ULTEGRA 6700
SIZES	44, 48, 51, 54CM

> RACE-WINNING PEDIGREE:

Light and stiff, with an alive, communicative ride-feel, and women's specific geometry, the 2012 SuperSix Women's is the sister of the frame that carried Team Liquigas/Cannondale to victory in the Giro d'Italia and Vuelta a España.

> OVERSIZED FOR POWER TRANSFER:

The massively oversized **BeatBox** BB area, 1-1/8" to 1.5" tapered steerer, deep-radius headtube and oversized asymmetric chainstays deliver point-and-shoot handling and maximum power transfer.

> HOURGLASS SEATSTAYS:

Curved, hourglass-shaped seat stays allow for vertical deflection and compliance over less than perfect road surfaces. The result is improved control and comfort after long days in the saddle.



2RWS2C
SUPERSIX WOMEN'S 2 SRAM RED

MAGNESIUM WHITE W/ RUBY RED (GLOSS/MATTE) (WHT).

FRAME	SUPERSIX WOMEN'S, FULL CARBON	TIRES	SCHWALBE ULTREMO ZX, 700X23C, FOLDING	SHIFTERS	SRAM RED
FORK	SUPERSIX, FULL CARBON	CRANKS	SRAM RED W/CANNONDALE GRAPHICS, BB30, 50/34	BRAKES	SRAM RED
WHEELS	MAVIC KSYRIUM ELITE	DERAILLEURS	SRAM RED / FORCE	SIZES	44, 48, 51, 54CM



PELTON, USA 03/11.
 "CANNONDALE'S WOMEN'S SUPERSIX RIDER IS ONE WHO IS LOOKING FOR A SEXY BIKE THAT IS SMOOTH, FAST AND COMFORTABLE."



2RWS3C
SUPERSIX WOMEN'S 3 ULTEGRA

BLUE TINT CLEAR W/ MAGNESIUM WHITE, OCEAN TROPIC (GLOSS) (BLU).

FRAME	SUPERSIX WOMEN'S, FULL CARBON	TIRES	SCHWALBE DURANO S, 700X23C, FOLDING	SHIFTERS	SHIMANO ULTEGRA 6700
FORK	SUPERSIX, FULL CARBON	CRANKS	FSA SL-K LIGHT CARBON BB30, 50/34	BRAKES	SHIMANO ULTEGRA 6700
WHEELS	MAVIC KSYRIUM EQUIPE	DERAILLEURS	SHIMANO ULTEGRA 6700	SIZES	44, 48, 51, 54CM



2RWS5C
SUPERSIX WOMEN'S 5 105

EXPOSED CARBON W/ MAGNESIUM WHITE, GREEN APPLE (GLOSS) (BLK).

FRAME	SUPERSIX WOMEN'S, FULL CARBON	TIRES	SCHWALBE LUGANO, 700X23C, FOLDING	SHIFTERS	SHIMANO 105 5700
FORK	SUPERSIX, FULL CARBON	CRANKS	FSA GOSSAMER PRO BB30, 50/34	BRAKES	SHIMANO 105 5700
WHEELS	SHIMANO RS10	DERAILLEURS	SHIMANO 105 5700	SIZES	44, 48, 51, 54CM

CAAD10 WOMEN'S XX. FACTOR.

THINK YOU NEED CARBON? THINK AGAIN. THE CAAD10 WOMEN'S IS SO LIGHT, SO STIFF AND SO SMOOTH THAT IT OUTPERFORMS MOST OF OUR COMPETITORS' CARBON OFFERINGS, FOR A PRICE THAT WILL MAKE YOU SMILE.



2RWX3C

CAAD10 WOMEN'S 3

FRAME	CAAD10 WOMEN'S, SMARTFORMED 6069 ALLOY, SPEED SAVE
FORK	CAAD10, FULL CARBON, SPEED SAVE
WHEELS	MAVIC AKSIUM WTS

TIRES	MAVIC AKSION, 700X23C, FOLDABLE
CRANKS	FSA SL-K CARBON LIGHT BB30, 50/34
DERAILLEURS	SHIMANO ULTEGRA 6700

SHIFTERS	SHIMANO ULTEGRA 6700
BRAKES	SHIMANO ULTEGRA 6700
SIZES	44, 48, 51, 54CM

JET BLACK W/ ROSY TOMORROW (GLOSS) (BLK).



**BICYCLE BUYER,
SPRING/SUMMER 11.**
"TO SAY IT'S REVELATORY WOULD BE AN UNDERSTATEMENT. GOOD ENOUGH TO GIVE MANY A CARBON BIKE A THRASHING"



2RWX5C

CAAD10 WOMEN'S 5 105

FRAME	CAAD10 WOMEN'S, SMARTFORMED 6069 ALLOY, SPEED SAVE
FORK	CAAD10, FULL CARBON, SPEED SAVE
WHEELS	SHIMANO RS10

TIRES	SCHWALBE LUGANO, 700X23C, FOLDABLE
CRANKS	FSA GOSSAMER PRO BB30, 50/34
DERAILLEURS	SHIMANO 105 5700

SHIFTERS	SHIMANO 105 5700
BRAKES	TEKTRO R580
SIZES	44, 48, 51, 54CM

BRUSHED ALUMINUM W/ ULTRA BLUE (GLOSS) (RAW).

MAGNESIUM WHITE W/ PEACHY KEEN, PORCELAIN BLUE (GLOSS) (WHT).

> SPEED AND COMFORT

The **SPEED SAVE** rear stays are shaped and butted to create a micro-suspension system that not only provides comfort, but actually helps the bike roll faster and handle better.

> WOMEN'S GEOMETRY

We believe that your bike should feel like an extension of you. We designed CAAD10 with details like a taller headtube to balance a women's proportionally higher saddle height, a shorter reach for shorter torsos, and a fork rake that minimizes toe overlap.

> ULTRA LIGHT WEIGHT

The CAAD10 is the lightest women's alloy road frame in the world. It is complimented by the full carbon **SPEED SAVE** fork which, in addition to being featherweight, also adds comfortable compliance to the front end.

SYNAPSE

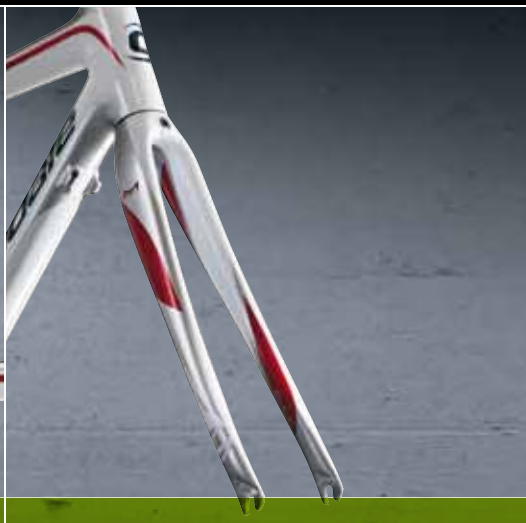
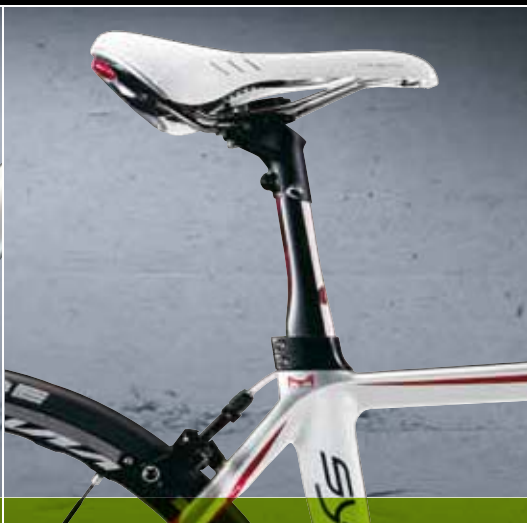
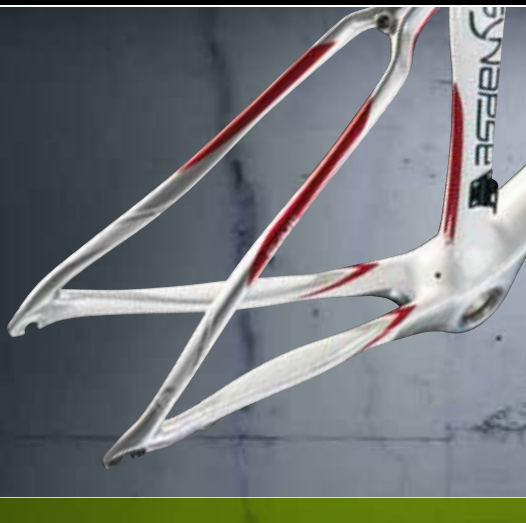
SILKY. SMOOTH.

LIFE CAN BE HARSH. YOUR RIDE SHOULDN'T BE. THE NEW SAVE PLUS COMFORT SYSTEM MAKES OUR TOP-SELLING WOMEN'S BIKE EVEN BETTER. ITS FEATHERY WEIGHT, INSIGHTFUL GEOMETRY AND THOUGHTFUL COMPONENT CHOICE MAKE IT PERFECT FOR CENTURY RIDES, SPRINT TRIATHLONS AND ANYTHING IN BETWEEN.

VICTORIES & AWARDS



- ROAD
- MOUNTAIN
- RECREATION/URBAN
- WOMEN'S
- SPECIFICATIONS



› SAVE PLUS FOR RIDE-ALL-DAY COMFORT

SAVE PLUS is the newly redesigned comfort system made specifically for Synapse. **SAVE PLUS**'s rear stays act like a micro suspension system to absorb the bumps, improve control and make every ride smooth.

› SAVE PLUS MULTIFLEX SEATPOST

The new **SAVE PLUS** Multiflex Seatpost delivers significantly more flex and comfort than a standard post. The shaft is interchangeable with a firmer version for those seeking a racier feel.

› SAVE PLUS FORK SMOOTHS OUT THE ROAD

The new **SAVE PLUS** fork is a gorgeously smooth-riding combination of sophisticated carbon lay-up and shaping, and offset dropouts for increased vertical deflection and vibration absorption with no loss in steering precision.

2RWL2C

SYNAPSE HI-MOD WOMEN'S 2 SRAM RED

MAGNESIUM WHITE, FINE SILVER W/ RUBY RED (GLOSS) (WHT).

FRAME	SYNAPSE WOMEN'S, HI-MOD CARBON, SAVE PLUS
FORK	SYNAPSE, HI-MOD FULL CARBON, SAVE PLUS
WHEELS	MAVIC KSYRIUM ELITE

TIRES	SCHWALBE ULTREMO ZX, 700X25C, FOLDING
CRANKS	SRAM RED W/CANNONDALE GRAPHICS, BB30, 50/34
DERAILLEURS	SRAM RED

SHIFTERS	SRAM RED
BRAKES	SRAM RED
SIZES	44, 48, 51, 54CM



2RWC3C

SYNAPSE CARBON WOMEN'S 3 ULTEGRA

MAGNESIUM WHITE, FINE SILVER W/ TIFFANY BLUE (GLOSS) (WHT).

FRAME	SYNAPSE WOMEN'S, FULL CARBON, SAVE PLUS	TIRES	SCHWALBE DURANO, 700X25C, FOLDING	SHIFTERS	SHIMANO ULTEGRA 6700
FORK	SYNAPSE, FULL CARBON, SAVE PLUS	CRANKS	FSA SL-K CARBON LIGHT BB30, 50/34	BRAKES	SHIMANO ULTEGRA 6700
WHEELS	DT SWISS RR1600 ROAD TUBELESS	DERAILLEURS	SHIMANO ULTEGRA 6700	SIZES	44, 48, 51, 54CM



2RWC5C

SYNAPSE CARBON WOMEN'S 5 105

INDIGO BLUE, MAGNESIUM WHITE W/ PORCELAIN BLUE (GLOSS) (BLU).

NEARLY BLACK, W/ GREEN APPLE (GLOSS) (GRY).

FRAME	SYNAPSE WOMEN'S, FULL CARBON, SAVE PLUS	TIRES	SCHWALBE LUGANO, 700X25C, FOLDING	SHIFTERS	SHIMANO 105 5700
FORK	SYNAPSE, FULL CARBON, SAVE PLUS	CRANKS	FSA GOSSAMER PRO BB30, 50/34	BRAKES	TEKTRO R580
WHEELS	SHIMANO RS10	DERAILLEURS	SHIMANO 105 5700	SIZES	44, 48, 51, 54CM



2RWC4C

SYNAPSE CARBON WOMEN'S 4 RIVAL

EXPOSED CARBON, FINE SILVER W/ CABERNET BLACK (GLOSS) (CAB).

FRAME	SYNAPSE WOMEN'S, FULL CARBON, SAVE PLUS	TIRES	MAVIC AKSION, 700X25C, FOLDING	SHIFTERS	SRAM RIVAL
FORK	SYNAPSE, FULL CARBON, SAVE PLUS	CRANKS	SRAM S550 BB30, 50/34	BRAKES	SRAM DUAL PIVOT
WHEELS	MAVIC AKSIUM WTS	DERAILLEURS	SRAM RIVAL WIFLI	SIZES	44, 48, 51, 54CM



2RWC6C

SYNAPSE CARBON WOMEN'S 6 APEX

MAGNESIUM WHITE, STEALTH GRAY W/ PEACHY KEEN (GLOSS) (WHT).

EXPOSED CARBON, MAGNESIUM WHITE W/ ULTRA BLUE (GLOSS) (BLK).

FRAME	SYNAPSE WOMEN'S, FULL CARBON, SAVE PLUS	TIRES	SCHWALBE LUGANO, 700X25C	SHIFTERS	SRAM APEX
FORK	SYNAPSE, FULL CARBON, SAVE PLUS	CRANKS	FSA OMEGA BB30, 50/34	BRAKES	SRAM APEX
WHEELS	SHIMANO RS01A	DERAILLEURS	SRAM APEX WIFLI	SIZES	44, 48, 51, 54CM



OPTION: TRIPLE 50/39/30



2RWA5C, 2RWA5T
SYNAPSE ALLOY WOMEN'S 5 105

CABERNET W/ MAGNESIUM WHITE AND VIOLET MIST (GLOSS) (CAB).

MAGNESIUM WHITE W/ RUBY RED (GLOSS) (WHT).

FRAME	WOMEN'S SYNAPSE, OPTIMIZED 6061 ALLOY, SAVE PLUS	TIRES	SCHWALBE LUGANO, 700X25C	SHIFTERS	SHIMANO 105 5700
FORK	SYNAPSE SAVE, CARBON BLADES	CRANKS	FSA GOSSAMER, BB30, 50/34	BRAKES	TEKTRO R539, DUAL PIVOT, LONG REACH
WHEELS	SHIMANO RS10	DERAILLEURS	SHIMANO 105 5700	SIZES	44, 48, 51, 54, 56CM



OPTION: 50/34



2RWA7C, 2RWA7T
SYNAPSE ALLOY WOMEN'S 7 SORA

MAGNESIUM WHITE W/ OCEAN TROPIC AND PORCELAIN BLUE (GLOSS) (WHT).

FRAME	WOMEN'S SYNAPSE, OPTIMIZED 6061 ALLOY, SAVE PLUS	TIRES	SCHWALBE LUGANO, 700X25C	SHIFTERS	SHIMANO SORA
FORK	SYNAPSE SAVE, CARBON BLADES	CRANKS	FSA VERO, TRIPLE 50/39/30	BRAKES	CANNONDALE C4, DUAL PIVOT, LONG REACH
WHEELS	MADDUX R3.0, 28 HOLE	DERAILLEURS	SHIMANO SORA	SIZES	44, 48, 51, 54, 56CM



OPTION: TRIPLE 50/39/30



2RWA6C, 2RWA6T
SYNAPSE ALLOY WOMEN'S 6 TIAGRA

PORCELAIN BLUE W/ WHITE PEARL (GLOSS) (BLU).

JET BLACK W/ BERSERKER GREEN PEARL (GLOSS) (BLK).

FRAME	WOMEN'S SYNAPSE, OPTIMIZED 6061 ALLOY, SAVE PLUS	TIRES	SCHWALBE LUGANO, 700X25C	SHIFTERS	SHIMANO TIAGRA 4600
FORK	SYNAPSE SAVE, CARBON BLADES	CRANKS	FSA OMEGA, BB30, 50/34	BRAKES	CANNONDALE C4, DUAL PIVOT, LONG REACH
WHEELS	MADDUX R3.0, 28 HOLE	DERAILLEURS	SHIMANO TIAGRA 4600	SIZES	44, 48, 51, 54, 56CM



WHILE THE PROVEN GEOMETRY AND POSITIONING OF OUR SYNAPSE STAYS THE SAME, THE NEW SYNAPSE IS LOADED WITH IMPROVED PERFORMANCE FEATURES.

SLICE

FAST. GIRL'S.

THE SLICE'S BLEND OF LIGHT WEIGHT, AERODYNAMICS, STABLE HANDLING AND SMOOTH RIDE HAS HELPED TWO INCREDIBLE WOMEN BECOME IRONMAN WORLD CHAMPIONS IN THE LAST TWO YEARS. IMAGINE WHAT IT COULD DO FOR YOU.

VICTORIES



2RWM2C

SLICE WOMEN'S 2 FORCE

FRAME SLICE WOMEN'S, FULL CARBON, AERO SAVE

FORK SLICE AERO, FULL CARBON

WHEELS MADDUX AERO G40 (650C/700C), 28 HOLE

TIRES SCHWALBE LUGANO, 700X23C / VITTORIA RUBINO, 650X23C

CRANKS SRAM S550 BB30, 50/34, (650C, 53/39)

DERAILLEURS SRAM FORCE

SHIFTERS SRAM TT500

BRAKES SRAM RIVAL

SIZES 47, 51, 54CM

MAGNESIUM WHITE W/ JET BLACK, GREEN APPLE (GLOSS) (WHT).

> RIDE SMOOTHER, RUN FRESHER

Tired of being bounced around by harsh riding aero frames? The Slice's AERO SAVE rear stays offer great power transfer while absorbing road shock, delivering you to the run feeling fresher than ever. Chrissie Wellington calls the feature her secret weapon.

> SUPERB GEOMETRY

The refined geometry and two-position aero seatpost enable riders to find their perfect aero position. The stable, predictable handling and AERO SAVE features help them stay in it longer.

> SMALLER RIDERS, SMALLER WHEELS.

To ensure that smaller riders don't have to compromise their fit or aerodynamic position, we build our size 47cm Slice around 650c wheels. This allows smaller riders to achieve the ideal low position and reduces toe overlap issues.



MANDY BRAVERMAN CANNONDALE ASST MARKETING MANGER

"ALL THE AERODYNAMICS IN THE WORLD DON'T MEAN A THING IF YOU CAN'T MAINTAIN THE AERO POSITION. MY 650 SLICE IS BUILT FOR ME. AT 5'1", I DEMAND A LIGHT, STIFF AND AERO BIKE. AND HEY, IT WON THE 2010 WORLD CHAMPIONSHIPS. NEED I SAY MORE?"



2RWM5C

SLICE WOMEN'S 5 105

FRAME SLICE WOMEN'S, FULL CARBON, AERO SAVE

FORK SLICE AERO, FULL CARBON

WHEELS MADDUX AERO G40 (650C/700C), 28 HOLE

TIRES SCHWALBE LUGANO, 700X23C / VITTORIA RUBINO, 650X23C

CRANKS FSA GOSSAMER PRO BB30, 50/34 (650C, 53/39)

DERAILLEURS SHIMANO 105 5700

SHIFTERS MICROSHIFT BAR END

BRAKES TEKRO R580

SIZES 47, 51, 54CM

MAGNESIUM WHITE W/ JET BLACK, GREEN APPLE (GLOSS) (WHT).

SCARLET

RED. HOT.

CLIMB. DESCEND. SMILE. REPEAT. THE SCARLET'S UNIQUE TWO-BIKES-IN-ONE NATURE LETS YOU BREAK THROUGH BOUNDARIES AND EXPERIENCE THE WHOLE MOUNTAIN AS NEVER BEFORE. CLIMB UP ON A SHORT-TRAVEL, EFFICIENT XC BIKE. ROCK DOWN ON A PLUSH, STABLE LONG TRAVEL BIKE. HAVE MORE FUN EVERYWHERE.



SCARLET SUSPENSION SYSTEM

The radical **DYAD RT2** dual shock and Scarlet's shock linkage were designed for each other, providing incredible smoothness, traction and efficiency in **Elevate** mode (90mm), and a fluid bottomless feel in **Flow** mode (150mm). Climb faster, descend better, never compromise.

DESIGNED TO RIP

The Scarlet's geometry is dialed for women. Smaller sizing, shorter top tubes and almost a full inch more standover than the Jekyll gives confidence through the sketchy stuff.

ECS-TC SYSTEM

To create the most solid feeling, responsive and predictable handling bike possible, the **ECS-TC** (Enhanced Center Stiffness-Torsion Control) System uses features like these clamped 15mm thru-axles and doubled bearings at the rear dropouts to eliminate flex and play in the links and pivots.



ROAD
MOUNTAIN
RECREATION/URBAN
WOMEN'S
SPECIFICATIONS

2VWV2 SCARLET 2

MAGNESIUM WHITE W/ RUBY RED (GLOSS) (WHT).

FRAME	SCARLET, 150/90 MM, SMARTFORMED ALLOY
SUSPENSION	FOX DYAD RT2 150-90 MM / FOX 32 TALAS RL, 150 MM
WHEELS	SUN RINGLE INFERNO 25

CRANKS	SRAM S1000 BB30, 44/33/22
DERAILLEURS, R/F	SRAM X7 / X7
SHIFTERS	SRAM X5

BRAKES	AVID ELIXIR 5, 180/180 MM
TIRES	SCHWALBE HANS DAMPF, 2.35", FOLDING
SIZES	P, S, M

LEXI

GIRL. POWER.

LEXI, SISTER OF THE RZ ONE TWENTY, IS SYSTEM INTEGRATION AT ITS FINEST. THE REFINED SINGLE PIVOT SUSPENSION DESIGN, WOMEN'S SPECIFIC GEOMETRY, AND CUSTOM SHOCK LINKAGE PRODUCES THE ULTIMATE WOMEN'S BIKE FOR MARATHON RACING AND ALL DAY RIDING.



› SIZE-SPECIFIC SHOCK LINKAGE

As women's frame sizes get smaller, often shock performance is compromised. While other bike manufacturers simply lower the shock mount, we created unique size-specific linkages so that Lexi's smaller frames maintain refined leverage ratios and shock performance.



› SYSTEM INTEGRATION

Lexi's **System Integrated** front end pairs the incredible Lefty Ultra with the **DPI** stem-steerer to create the lightest, smoothest, most precise handling system on the market. The added convenience of the XLR handlebar-mounted fork lockout is icing on the cake.



› ONE-PIECE FORGING FOR STRENGTH AND LIGHT WEIGHT

Lexi's seat tube, bottom bracket shell and swingarm pivot are 3D forged as a single piece – we call it the **Backbone** – producing not just lighter overall weight but allowing uniform grain alignment throughout for extreme strength in this crucial area. Strong and incredibly light.



2VLW0

LEXI 0

FRAME	LEXI, 120MM, SMARTFORMED ALLOY
SUSPENSION	FOX RP2 / LEFTY ULTRA XLR, 120MM
WHEELS	DT SWISS 1.5

CRANKS	SRAM S2210 CARBON BB30, 38/26
DERAILLEURS, R/F	SRAM X0 / X9
SHIFTERS	SRAM X0

MAGNESIUM WHITE W/ APPLE GREEN (GLOSS) (WHT).

BRAKES	AVID ELIXIR 9, 160/160MM
TIRES	SCHWALBE RACING RALPH PACE STAR EVO, 2.25", FOLDING
SIZES	P, S, M



2VLW1
LEXI 1

JET BLACK W/ ROSY TOMORROW (GLOSS) (BLK).

FRAME	LEXI, 120MM, SMARTFORMED ALLOY	CRANKS	FSA AFTERBURNER BB30, 42/32/24	BRAKES	MAGURA MT4 CARBON, 180/160MM
SUSPENSION	FOX RP2 / LEFTY ULTRA PBR, 120MM	DERAILLEURS, R/F	SHIMANO XT / SLX	TIRES	SCHWALBE RACING RALPH, 2.25", FOLDING
WHEELS	DT SWISS 1.7	SHIFTERS	SHIMANO XT	SIZES	P, S, M



2VLW3
LEXI 3

MAGNESIUM WHITE W/ ROSY TOMORROW (GLOSS) (WHT).

FRAME	LEXI, 120MM, SMARTFORMED ALLOY	CRANKS	SHIMANO M430-8, 44/32/22	BRAKES	SHIMANO M446, HYDRAULIC DISC, 185/160MM
SUSPENSION	X FUSION E1 RL / ROCKSHOX RECON SILVER TK, 120MM	DERAILLEURS, R/F	SHIMANO DEORE / ALIVIO	TIRES	KENDA SLANT 6, 2.1", FOLDING
WHEELS	MADDEX DC3.0	SHIFTERS	SHIMANO DEORE	SIZES	P, S, M



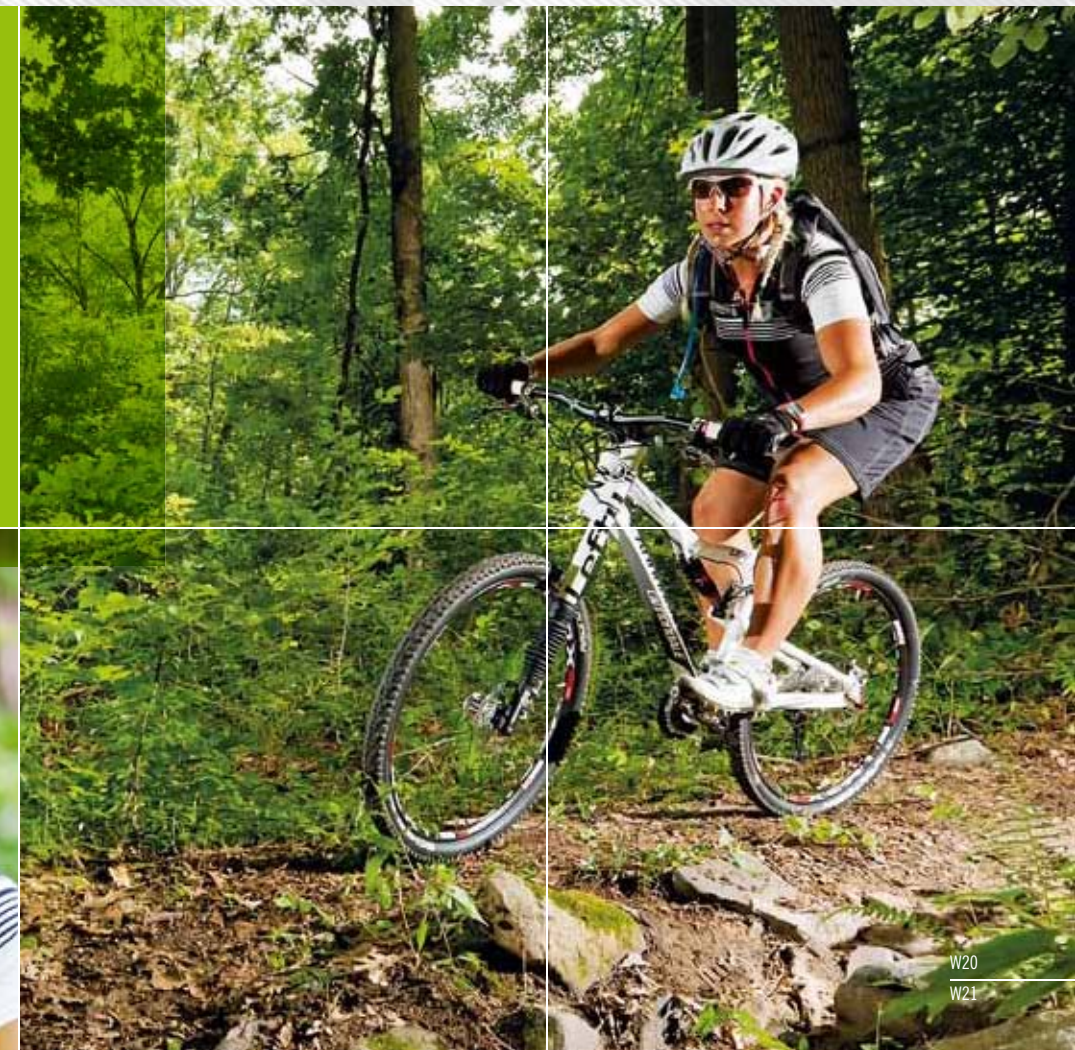
2VLW2
LEXI 2

NEARLY BLACK W/ PORCELAIN BLUE (GLOSS) (GRY).

FRAME	LEXI, 120MM, SMARTFORMED ALLOY	CRANKS	SRAM S1000 BB30, 44/34/24	BRAKES	AVID ELIXIR 3, 180/160MM
SUSPENSION	ROCKSHOX MONARCH RT / ROCKSHOX RECON GOLD TK, 120MM	DERAILLEURS, R/F	SRAM X-9 / X7	TIRES	SCHWALBE RACING RALPH, 2.25", FOLDING
WHEELS	SUN RINGLE SR25	SHIFTERS	SRAM X-7	SIZES	P, S, M

VELONEWS, USA SPRING BUYER'S GUIDE '11

"INSTEAD OF JUST A LOWERED SHOCK MOUNT, THE LEXI GETS A COMPLETELY DIFFERENT LINKAGE TO PRESERVE THE REFINED SHOCK PERFORMANCE AND LEVERAGE RATIO BUILT INTO THE RZ ONE TWENTY FAMILY."



TRAIL SL AND TRAIL GO. GET 'ER.

STARTING OUT? OUR LIGHTWEIGHT WOMEN'S TRAIL SERIES IS DESIGNED BY WOMEN FOR WOMEN, WITH SIZE SPECIFIC SUSPENSION FORKS, WOMEN'S GEOMETRY AND COMPONENTS, AND A HEFTY DOSE OF CONFIDENCE. WELCOME TO THE CLUB.



2FSW2

TRAIL SL WOMEN'S 2

JET BLACK (MATTE) (BBQ).

FRAME	TRAIL SL WOMEN'S, OPTIMIZED 6061 ALLOY, SAVE
FORK	ROCKSHOX RECON SILVER TK, 100MM
WHEELS	MADDUX DC3.0

CRANKS	SRAM S800 3.1, 44/33/22
DERAILLEURS, R/F	SRAM X5 / X5
SHIFTERS	SRAM X5

BRAKES	AVID ELIXIR 1 HYDRAULIC DISC, 160/160MM
TIRES	SCHWALBE RAPID ROB, 2.1"
SIZES	P, S, M, T

> RIDE WITH CONFIDENCE

Our women's Trail bikes are crafted with attention to the details that women need such as lower standover height, lighter springs in the forks, and a stable, reassuring geometry.

> CANNONDALE ALUMINUM CRAFTING

The Trail's purposefully shaped tubes, internal taper-butting and trademark double-pass smooth welds create a bike that is light, stiff and strong, highlighting Cannondale's three decades of aluminum expertise.

> SAVE COMFORT ENHANCING REAR STAYS.

The chain stays and seat stays are designed to work together to absorb shock, while preventing side-to-side and twisting flex. This adds up to better comfort and great power transfer.



2FSW3

TRAIL SL WOMEN'S 3

MAGNESIUM WHITE (GLOSS) (WHT).

FRAME	TRAIL SL WOMEN'S, OPTIMIZED 6061 ALLOY, SAVE
FORK	RST DEUCE TNL, 100MM
WHEELS	MADDUX DC3.0

CRANKS	SHIMANO M430, 44/33/22
DERAILLEURS, R/F	SHIMANO DEORE / ALIVIO
SHIFTERS	SHIMANO ALIVIO

BRAKES	CANNONDALE HELIX 6 HYDRAULIC DISC, 160/160MM
TIRES	SCHWALBE RAPID ROB, 2.1"
SIZES	P, S, M, T



2FTW5

TRAIL WOMEN'S 5

GREEN APPLE PEARL (GLOSS) (GRN).

JET BLACK (GLOSS) (BLK).

FRAME	TRAIL WOMEN'S, DOUBLE BUTTED 6061 ALLOY, SAVE
FORK	RST BLAZE TNL, 100MM
WHEELS	ALEX DC4.5

CRANKS	SHIMANO M311, 42/32/22
DERAILLEURS, R/F	SHIMANO ALIVIO / ALTUS
SHIFTERS	SHIMANO ALIVIO

BRAKES	PROMAX MECHANICAL DISC, 160/160MM
TIRES	SCHWALBE RAPID ROB, 2.1"
SIZES	P, S, M, T



2FTW6

TRAIL WOMEN'S 6

CABERNET (MATTE) (CAB).

MAGNESIUM WHITE (GLOSS) (WHT).

FRAME	TRAIL WOMEN'S, DOUBLE BUTTED 6061 ALLOY, SAVE
FORK	RST GILA T, 100MM
WHEELS	ALEX DC4.5

CRANKS	SHIMANO M191, 42/34/24
DERAILLEURS, R/F	SHIMANO ACERA / M190
SHIFTERS	SHIMANO ACERA

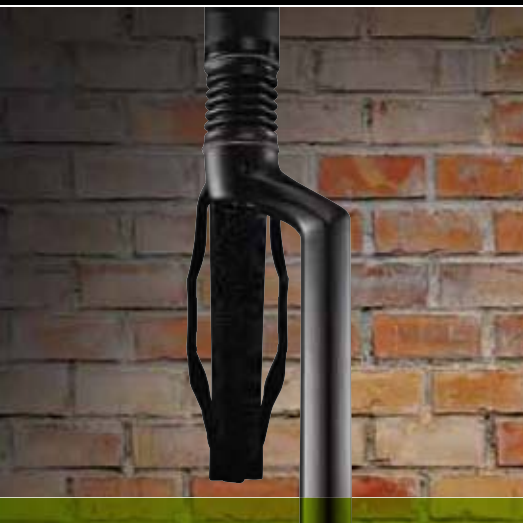
BRAKES	TEKTRO NOVELA MECHANICAL DISC, 160/160MM
TIRES	KENDA SMALL BLOCK 8, 2.1"
SIZES	P, S, M, T

BAD GIRL

FASHION. STATEMENT.

LIKE A PUNK ROCKER IN A COUTURE DRESS, THE BAD GIRL MIXES HARD-EDGED TOUGHNESS WITH A FEMININE STYLE ALL ITS OWN. NIMBLE, FUN, VERSATILE AND SLEEK; WITH BAD GIRL, BLACK IS ALWAYS IN FASHION.

ROAD
MOUNTAIN
RECREATION/URBAN
WOMEN'S
SPECIFICATIONS



> FORK OPTIONS

Even the forks on the Bad Girl make a statement. Choose from models equipped with the radical single-legged HeadShok Solo DL50 with 50mm of travel, hydraulic damping and lockout, the Solo Rigid or the Fatty Rigid.

> DELTA V FRAME

Bad Girl's rugged **Delta V** frame is designed for a women's physique. Great standover combines with a shorter reach and upright position for increased comfort, confidence and agility.

> PUNK SOPHISTICATION

Using our **DPI** forging process, we crafted a cool, one-piece, integrated bar and stem to compliment the Bad Girl's edgy style.

2BW51

BAD GIRL 1

JET BLACK W/ REFLECTIVE DECALS (MATTE) (BBQ).

FRAME	BAD GIRL, OPTIMIZED 6061 ALLOY
FORK	HEADSHOK SOLO DL50, 50MM W/LOCKOUT, OPI
TIRES	SCHWALBE KOJAK RACE GUARD, 700X28C

CRANKS	SHIMANO M431, 48/36/26
DERAILLEURS R/F	SHIMANO SLX / DEORE
SHIFTERS	SHIMANO DEORE

STEM	CANNONDALE SI URBAN OPI STEM/HANDLEBAR
BRAKES	MAGURA MT2 HYDRAULIC DISC, 160/160MM
SIZES	S, T



2BWF2

BAD GIRL 2

JET BLACK W/ REFLECTIVE DECALS (MATTE) (BBQ).

FRAME	BAD GIRL, OPTIMIZED 6061 ALLOY	CRANKS	SHIMANO M431, 48/36/26	STEM	CANNONDALE SI URBAN OPI STEM/HANDLEBAR
FORK	CANNONDALE FATTY RIGID, OPI	DERAILLEURS R/F	SHIMANO DEORE / ALIVIO	BRAKES	SHIMANO M446 HYDRAULIC DISC, 160/160MM
TIRES	SCHWALBE KOJAK RACE GUARD, 700X28C	SHIFTERS	SHIMANO ALIVIO	SIZES	S, T



2BWF3

BAD GIRL 3

JET BLACK W/ REFLECTIVE DECALS (MATTE) (BBQ).

FRAME	BAD GIRL, OPTIMIZED 6061 ALLOY	CRANKS	SHIMANO M171, 48/38/28	STEM	CANNONDALE C4
FORK	CANNONDALE FATTY RIGID	DERAILLEURS R/F	SHIMANO ALIVIO / ALTUS	BRAKES	TEKTRO NOVELA MECHANICAL DISC, 160/160MM
TIRES	SCHWALBE KOJAK RACE GUARD, 700X28C	SHIFTERS	SHIMANO ALTUS	SIZES	S, T

QUICK WOMEN'S

LIFE. STYLE.

QUICK IS THE PERFECT COMPANION IN THE TWO-WHEELED WORLD WHETHER YOU'RE TEMPTED BY THE LURE OF COMMUTING, THAT LONG PROMISED CHARITY RIDE OR A LATE SUMMER TRIATHLON WITH FRIENDS.



2QRW2

QUICK SL WOMEN'S 2

FRAME	QUICK SL WOMEN'S, OPTIMIZED 6061 ALLOY, SAVE
FORK	QUICK, CARBON BLADES
WHEELS	ELEMENT C3 - 700C (26" ON XS)

TIRES	CONTINENTAL SPORT CONTACT, 700X32C (26X1.3" ON XS)
CRANKS	SHIMANO SORA, 50/39/30
DERAILLEURS R/F	SHIMANO SORA / R443,

SHIFTERS	SHIMANO R440
BRAKES	CANNONDALE C2 MINI V
SIZES	XS (26"), P, S, T

CABERNET W/ WHITE PEARL AND VIOLET MIST (GLOSS) (CAB).

ROAD BIKE SPEED, FLAT BAR COMFORT

Fast-rolling 700c wheels paired with an upright riding position gives you the best of both worlds — a speedy, fun package with great comfort and worry-free visibility.

SAVE VIBRATION DAMPING STAYS

Optimized chain stay and seat stay shaping provides bump absorption, comfort and enhanced control with no loss in power transfer.

LIGHT AND STYLISH

Both the Quick, and the lighter weight Quick SL, are the lightest frames in class, making the bike nimble, responsive and a breeze to carry up stairs or put on a car rack.



2QRW3

QUICK WOMEN'S 3

FRAME	QUICK WOMEN'S, BUTTED 6061 ALLOY, SAVE
FORK	QUICK, CARBON BLADES
WHEELS	ELEMENT C3

TIRES	CONTINENTAL CITY CONTACT, 700X32C
CRANKS	SHIMANO M431, 48/36/26
DERAILLEURS R/F	SHIMANO DEORE / ALIVIO

SHIFTERS	SHIMANO ALIVIO
BRAKES	CANNONDALE C3 MINI V
SIZES	P, S, T

JET BLACK W/ ULTRA BLUE (GLOSS) (BLK).

MAGNESIUM WHITE W/ ROSY TOMORROW (GLOSS) (WHT).



2QRW4

QUICK WOMEN'S 4

FRAME	QUICK WOMEN'S, BUTTED 6061 ALLOY, SAVE
FORK	QUICK, CARBON BLADES
WHEELS	ELEMENT C3 - 700C (26" ON XS)

TIRES	KENDA KWICK TRAX, 700X32C (26X1.5" ON XS)
CRANKS	SHIMANO M171, 48/38/28
DERAILLEURS R/F	SHIMANO ALIVIO / M191

SHIFTERS	SHIMANO M310 RAPIDFIRE PLUS
BRAKES	CANNONDALE C4 MINI V
SIZES	XS (26"), P, S, T

FINE SILVER W/ CABERNET (GLOSS) (SLV).

MAGNESIUM WHITE W/ RUBY RED (GLOSS) (WHT).



2QRW5

QUICK WOMEN'S 5

FRAME	QUICK WOMEN'S, BUTTED 6061 ALLOY, SAVE
FORK	QUICK, 6061 ALLOY
WHEELS	CANNONDALE C4

TIRES	KENDA KWICK TRAX, 700X32C
CRANKS	SHIMANO M131, 48/38/28
DERAILLEURS R/F	SHIMANO ALTUS / M191

SHIFTERS	SHIMANO M310 RAPIDFIRE PLUS
BRAKES	CANNONDALE C4 MINI V
SIZES	P, S, T

MAGNESIUM WHITE W/ INDIGO BLUE AND PORCELAIN BLUE (GLOSS) (WHT).

QUICK CX WOMEN'S SPORT. UTILITY.

TOUGH YET BEAUTIFUL, LIGHT YET VERSATILE, QUICK CX IS FOR THE RIDER WHO DOES MOST OF THEIR MILES ON THE ROAD OR BIKE TRAILS BUT WHO CAN'T RESIST THE TEMPTATION OF VENTURING OFF THE BEATEN PATH.



20XW2

QUICK CX WOMEN'S 2

CHARCOAL GRAY W/ TIFFANY BLUE (GLOSS) (GRY).

FRAME	QUICK CX WOMEN'S, OPTIMIZED 6061 ALLOY, SAVE
FORK	RST NEON PRO TREKKING TNL, 50MM
WHEELS	MADDUX DC3.0

TIRES	CONTINENTAL DOUBLE FIGHTER II, 700X37C
CRANKS	SHIMANO M391, 48/36/26
DERAILLEURS R/F	SHIMANO DEORE / ACERA

SHIFTERS	SHIMANO ACERA
BRAKES	CANNONDALE HELIX 6 HYDRAULIC DISC, 160/160MM
SIZES	P, M, T



20XW3

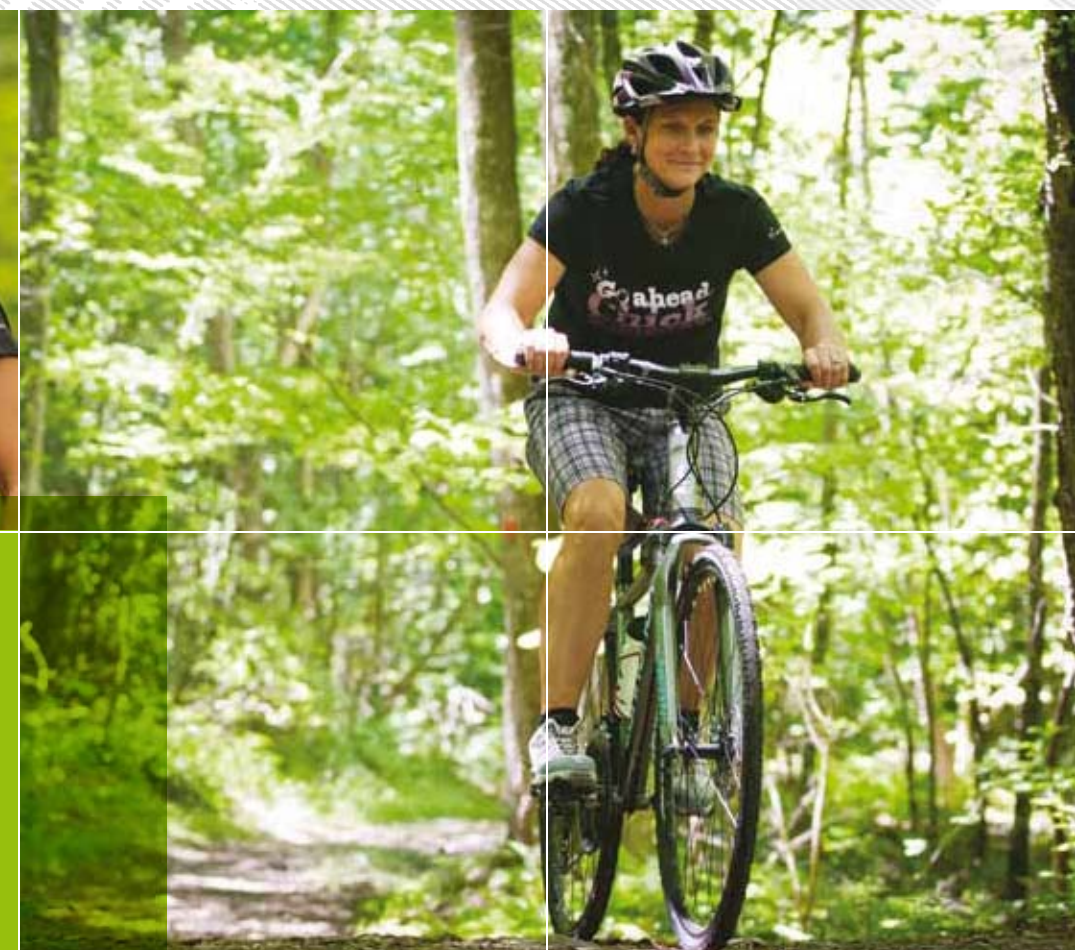
QUICK CX WOMEN'S 3

MAGNESIUM WHITE W/ INDIIGO BLUE AND OCEAN TROPIC (GLOSS) (GRY).

FRAME	QUICK CX WOMEN'S, OPTIMIZED 6061 ALLOY, SAVE
FORK	RST NEON PRO TREKKING ML, 50MM
WHEELS	MADDUX DC3.0

TIRES	CONTINENTAL DOUBLE FIGHTER II, 700X37C
CRANKS	SHIMANO M171, 48/38/28
DERAILLEURS R/F	SHIMANO ACERA / M191

SHIFTERS	SHIMANO M310 RAPIDFIRE PLUS
BRAKES	TEKTRO NOVELA MECHANICAL DISC, 160/160MM
SIZES	P, M, T



> JUST FOR YOU

The Quick CX Women's geometry offers increased standover height and shorter reach, which is great for city streets and even better when your excursions lead to rougher roads and bike trails.

> SAVE VIBRATION DAMPING STAYS

Optimized rear stay shaping provides bump absorption, comfort and enhanced control with no loss in power transfer.

> COMFORT AND VISIBILITY

The Quick CX geometry delivers an upright, stable riding position for increased comfort, visibility and enjoyment. Relax and enjoy the ride.

BICYCLING, 2011

"CANNONDALE IS FIRST AND FOREMOST A PERFORMANCE BICYCLE COMPANY, THE QUICK IS DESIGNED AROUND A FOUNDATION OF TECHNOLOGY, INNOVATION, HANDLING, GEOMETRY AND MOST IMPORTANTLY, THE RIDE."

ADVENTURE WOMEN'S

AMAZING. GRACE.

ADVENTURE IS NOT ABOUT SPEED OR LYCRA. IT'S ABOUT EXPLORING YOUR NEIGHBORHOOD. IT'S ABOUT GETTING OUT THERE AND PUTTING A SMILE ON YOUR FACE. GO ON. WHAT'S YOUR ADVENTURE?



2ASW2

ADVENTURE WOMEN'S 2

FRAME	ADVENTURE WOMEN'S, DOUBLE BUTTED 6061 ALLOY
FORK	ADVENTURE TRAIL SI SUSPENSION, 35MM
SHIFTERS	SHIMANO REVO TWIST TYPE

DERAILLEURS, R/F	SHIMANO ALIVIO / M191
BRAKE LEVERS	CANNONDALE, SHORT REACH W/KRATON COMFORT INSERT
TIRES	KENDA KWICK TRAX, 700 X 38C

SADDLE	CANNONDALE ULTRA COMFORT WOMEN'S
SEATPOST	CANNONDALE SUSPENSION, 40MM TRAVEL
SIZES	S, T

CABERNET W/ CREME AND VIOLET MIST (GLOSS) (CAB).

> RIDER-TAILORED GEOMETRY

For maximum comfort and confidence, Adventure has our most upright rider position and a seat angle that permits the rider to comfortably touch the ground, without compromising the ability to pedal efficiently.

> LUXURIOUS TRAPPINGS

Soft touch material on the grips and quick-release levers, combined with a super plush spring saddle gives the Adventure a luxurious feel.

> TOOL-FREE STEM ADJUSTMENT

Rider position is quickly and easily customizable with a secure, lever-action adjustable stem.



2ASW3

ADVENTURE WOMEN'S 3

FRAME	ADVENTURE WOMEN'S, DOUBLE BUTTED 6061 ALLOY
FORK	RST SOFI T, 50MM
SHIFTERS	SHIMANO REVO TWIST TYPE

DERAILLEURS R/F	SHIMANO ACERA / M191
BRAKE LEVERS	CANNONDALE, SHORT REACH W/KRATON COMFORT INSERT
TIRES	KENDA KWICK TRAX, 700 X 38C

BRAKES	CANNONDALE ULTRA COMFORT WOMEN'S
SADDLE	CANNONDALE SUSPENSION, 40MM TRAVEL
SIZES	S, T

MAGNESIUM WHITE W/ TIFFANY BLUE AND FINE SILVER (GLOSS) (WHT).



2CSW3

ADVENTURE WOMEN'S 3 26"

FRAME	ADVENTURE WOMEN'S, DOUBLE BUTTED 6061 ALLOY
FORK	RST SOFI T 26", 50MM
SHIFTERS	SHIMANO REVO TWIST TYPE

DERAILLEURS R/F	SHIMANO ACERA / M191
BRAKE LEVERS	CANNONDALE, SHORT REACH W/KRATON COMFORT INSERT
TIRES	KENDA K1052, 26 X 2.1"

BRAKES	CANNONDALE ULTRA COMFORT WOMEN'S
SADDLE	CANNONDALE SUSPENSION, 40MM TRAVEL
SIZES	S, T

MAGNESIUM WHITE W/ TIFFANY BLUE AND FINE SILVER (GLOSS) (WHT).

WOMEN'S ROAD SPECIFICATIONS

	SUPERSIX WOMEN'S D12 ULTEGRA	SUPERSIX WOMEN'S 2 SRAM RED	SUPERSIX WOMEN'S 3 ULTEGRA	SUPERSIX WOMEN'S 5 105	CAAD10 WOMEN'S 3 ULTEGRA
CODE	2RWS1C	2RWS2C	2RWS3C	2RWS5C	2RWX3C
FRAME	SUPERSIX WOMEN'S, FULL CARBON, BB30, D12 SPECIFIC	SUPERSIX WOMEN'S, FULL CARBON, BB30	SUPERSIX WOMEN'S, FULL CARBON, BB30	SUPERSIX WOMEN'S, FULL CARBON, BB30	CAAD10 WOMEN'S, SMARTFORMED 6069 ALLOY, SPEED SAVE, BB30
FORK	SUPERSIX, FULL CARBON, 1-1/8" TO 1.5" TAPERED STEERER, ALLOY DROPOUTS	SUPERSIX, FULL CARBON, 1-1/8" TO 1.5" TAPERED STEERER, ALLOY DROPOUTS	SUPERSIX, FULL CARBON, 1-1/8" TO 1.5" TAPERED STEERER, ALLOY DROPOUTS	SUPERSIX, FULL CARBON, 1-1/8" TO 1.5" TAPERED STEERER, ALLOY DROPOUTS	CAAD10, SPEED SAVE FULL CARBON, 1-1/8" TO 1-1/4" TAPERED STEERER
RIMS	MAVIC KSYRIUM SL	MAVIC KSYRIUM ELITE	MAVIC KSYRIUM EQUIPE	MAVIC KSYRIUM EQUIPE	MAVIC AKSIUM WTS
HUBS	MAVIC KSYRIUM SL	MAVIC KSYRIUM ELITE	MAVIC KSYRIUM EQUIPE	MAVIC KSYRIUM EQUIPE	MAVIC AKSIUM WTS
SPOKES	MAVIC KSYRIUM SL	MAVIC KSYRIUM ELITE	MAVIC KSYRIUM EQUIPE	MAVIC KSYRIUM EQUIPE	MAVIC AKSIUM WTS
TIRES	SCHWALBE ULTREMO ZX, 700X23C, FOLDING	SCHWALBE ULTREMO ZX, 700X23C, FOLDING	SCHWALBE DURANO S, 700X23C, FOLDING	SCHWALBE LUGANO, 700X23C, FOLDING	MAVIC AKSION, 700X23C, FOLDABLE
PEDALS	N/A	N/A	N/A	N/A	N/A
CRANK	FSA SL-K LIGHT CARBON BB30, 50/34	SRAM RED W/CANNONDALE GRAPHICS, BB30, 50/34 COMPACT	FSA SL-K LIGHT CARBON BB30, 50/34	FSA GOSSAMER PRO BB30, 50/34	FSA SL-K CARBON LIGHT BB30, 50/34
BOTTOM BRACKET	FSA BB30	SRAM BB30	FSA BB30	FSA BB30	FSA BB30
CHAIN	SHIMANO ULTEGRA 6700	SRAM RED	SHIMANO ULTEGRA	SHIMANO 105 5700	SHIMANO ULTEGRA 6700
REAR COGS	SHIMANO ULTEGRA 6700, 11-28, 10-SPEED	SHIMANO PG-1070, 11-26, 10-SPEED	SHIMANO ULTEGRA 6700, 11-28, 10-SPEED	SHIMANO 105 5700, 11-28, 10-SPEED	SHIMANO ULTEGRA 6700, 11-28, 10-SPEED
FR. DERAILLEUR	SHIMANO D12 ULTEGRA, 34.9MM CLAMP	SRAM FORCE, 34.9MM CLAMP	SHIMANO ULTEGRA 6700, 34.9MM CLAMP	SHIMANO 105 5700, 34.9MM CLAMP	SHIMANO ULTEGRA 6700, BRAZE ON
REAR DERAILLEUR	SHIMANO D12 ULTEGRA	SRAM RED	SHIMANO ULTEGRA 6700	SHIMANO 105	SHIMANO ULTEGRA 6700
SHIFTERS	SHIMANO D12 ULTEGRA	SRAM RED W'REACH ADJUST	SHIMANO ULTEGRA 6700	SHIMANO 105	SHIMANO ULTEGRA 6700
HANDLEBAR	FSA SL-K WING COMPACT, CARBON	CANNONDALE C2 WOMEN'S COMPACT WING, AL-7050, HYDROFORMED	CANNONDALE C2 WOMEN'S COMPACT WING, AL-7050, HYDROFORMED	CANNONDALE C3 WOMEN'S COMPACT WING, BUTTED 6061 ALLOY	CANNONDALE C3 WOMEN'S COMPACT WING, BUTTED 6061 ALLOY
GRIPS	CANNONDALE 2.5MM SUEDE W/GEL BACKING GRIP TAPE	CANNONDALE 2.5MM SUEDE W/GEL BACKING GRIP TAPE	CANNONDALE 2.5MM SUEDE W/GEL BACKING GRIP TAPE	CANNONDALE 2.5MM SUEDE W/GEL BACKING GRIP TAPE	CANNONDALE 2.5MM SUEDE W/GEL BACKING GRIP TAPE
STEM	FSA SL-K, 6 DEGREE, 31.8	CANNONDALE C2, 6 DEGREE, 31.7	CANNONDALE C2, 2014 3D FORGED ALLOY, 31.8MM, 6 DEG.	CANNONDALE C3, 6061 3D FORGED ALLOY, 31.8MM, 6 DEG.	CANNONDALE C3, 6061 3D FORGED ALLOY, 31.8MM, 6 DEG.
HEADSET	SUPERSIX, 1.5 LOWER BEARING, 30MM CARBON W/5MM HIDDEN ALLOY TOP COVER	SUPERSIX, 1.5 LOWER BEARING, 30MM CARBON W/5MM HIDDEN ALLOY TOP COVER	SUPERSIX, 1.5 LOWER BEARING, 30MM CARBON, W/5MM HIDDEN ALLOY TOP COVER	SUPERSIX, 1.5 LOWER BEARING, 30MM ALLOY, W/5MM HIDDEN TOP COVER	CAAD10, 1-1/4" LOWER BEARING, 25MM CARBON TOP CAP
BRAKES	SHIMANO ULTEGRA 6700	SRAM RED	SHIMANO ULTEGRA 6700	SHIMANO 105 5700	SHIMANO ULTEGRA 6700
BRAKE LEVERS	SHIMANO D12 ULTEGRA	SRAM RED W'REACH ADJUST	SHIMANO ULTEGRA 6700 W'REACH ADJUST	SHIMANO 105 5700 W'REACH ADJUST	SHIMANO ULTEGRA 6700 W'REACH ADJUST
SADDLE	FI'ZIK ARIONE DONNA, MG RAILS	FI'ZIK ARIONE DONNA, MG RAILS	FI'ZIK ARIONE DONNA, MG RAILS	PROLOGO KAPPA DEA, PROT 2.0 RAILS	PROLOGO KAPPA DEA, PROT 2.0 RAILS
SADDLEPOST	FSA SLK CARBON SP-RK-260, 31.6MM, 350MM	CANNONDALE C2, UD CARBON, 31.6MM, 300MM	CANNONDALE C2, UD CARBON, 31.6MM, 300MM	CANNONDALE C2, UD CARBON, 31.6MM, 300MM	CANNONDALE C2, UD CARBON, 31.6MM, 300MM
SIZES	44, 48, 51, 54CM	44, 48, 51, 54CM	44, 48, 51, 54CM	44, 48, 51, 54CM	44, 48, 51, 54CM
COLOR 1 (CODE)	EXPOSED CARBON, NEARLY BLACK W/MAGNESIUM WHITE AND FINE SILVER (GLOSS) (GRY)	MAGNESIUM WHITE W/RUBY RED (GLOSS/MATTE) (WHT)	BLUE TINT CLEAR W/MAGNESIUM WHITE, OCEAN TROPIC (GLOSS) (BLU)	EXPOSED CARBON W/MAGNESIUM WHITE, GREEN APPLE (GLOSS) (BLK)	JET BLACK W/ROSY TOMORROW (GLOSS) (BLK)

	CAAD10 WOMEN'S 5 105	SYNAPSE HI-MOD WOMEN'S 2 SRAM RED	SYNAPSE CARBON WOMEN'S 3 ULTEGRA	SYNAPSE CARBON WOMEN'S 4 RIVAL	SYNAPSE CARBON WOMEN'S 5 105
CODE	2RWX5C	2RWL2C	2RWL3C	2RWC4C	2RWC5C
FRAME	CAAD10 WOMEN'S, SMARTFORMED 6069 ALLOY, SPEED SAVE, BB30	SYNAPSE WOMEN'S, HI-MOD FULL CARBON, SAVE PLUS, BB30	SYNAPSE WOMEN'S, FULL CARBON, SAVE PLUS, BB30	SYNAPSE WOMEN'S, FULL CARBON, SAVE PLUS, BB30	SYNAPSE WOMEN'S, FULL CARBON, SAVE PLUS, BB30
FORK	CAAD10, SPEED SAVE FULL CARBON, 1-1/8" TO 1-1/4" TAPERED STEERER	SYNAPSE, HI-MOD FULL CARBON, SAVE PLUS, 1-1/8"	SYNAPSE, FULL CARBON, SAVE PLUS, 1-1/8"	SYNAPSE, FULL CARBON, SAVE PLUS, 1-1/8"	SYNAPSE, FULL CARBON, SAVE PLUS, 1-1/8"
RIMS	SHIMANO RS10	MAVIC KSYRIUM ELITE	DT SWISS RR1600 ROAD TUBELESS	MAVIC AKSIUM WTS	SHIMANO RS10
HUBS	SHIMANO RS10	MAVIC KSYRIUM ELITE	DT SWISS RR1600 ROAD TUBELESS	MAVIC AKSIUM WTS	SHIMANO RS10
SPOKES	SHIMANO RS10	MAVIC KSYRIUM ELITE	DT SWISS RR1600 ROAD TUBELESS	MAVIC AKSIUM WTS	SHIMANO RS10
TIRES	SCHWALBE LUGANO, 700X23C, FOLDABLE	SCHWALBE ULTREMO ZX, 700X25C, FOLDING	SCHWALBE DURANO, 700X25C, FOLDING	MAVIC AKSION, 700X25C, FOLDING	SCHWALBE LUGANO, 700X25C, FOLDING
PEDALS	N/A	N/A	N/A	N/A	N/A
CRANK	FSA GOSSAMER PRO BB30, 50/34	SRAM RED W/CANNONDALE GRAPHICS, BB30, 50/34 COMPACT	FSA SL-K CARBON LIGHT BB30, 50/34	SRAM S550 BB30, 50/34	FSA GOSSAMER PRO BB30, 50/34
BOTTOM BRACKET	FSA BB30	SRAM BB30	FSA BB30	SRAM BB30	FSA BB30
CHAIN	SHIMANO 105 5700	KMC X10 SL	SHIMANO ULTEGRA 6700	SHIMANO 105 5700	SHIMANO 105 5700
REAR COGS	SHIMANO 105 5700, 11-28, 10-SPEED	SRAM PG-1070, 11-28, 10-SPEED	SHIMANO ULTEGRA 6700, 11-28, 10-SPEED	SRAM PG-1050, 11-32, 10-SPEED	SHIMANO 105 5700, 11-28, 10-SPEED
FR. DERAILLEUR	SHIMANO 105 5700, BRAZE-ON	SRAM RED, BRAZE-ON	SHIMANO ULTEGRA 6700, BRAZE-ON	SRAM RIVAL, BRAZE-ON	SHIMANO 105 5700, BRAZE-ON
REAR DERAILLEUR	SHIMANO 105 5700	SRAM RED	SHIMANO ULTEGRA 6700	SRAM RIVAL W/FLI	SHIMANO 105 5700
SHIFTERS	SHIMANO 105 5700	SRAM RED W'REACH ADJUST	SHIMANO ULTEGRA 6700	SRAM RIVAL W'REACH ADJUST	SHIMANO 105 5700
HANDLEBAR	CANNONDALE C3 WOMEN'S COMPACT, BUTTED 6061 ALLOY	FSA SL-K CARBON COMPACT WING	CANNONDALE C2 WOMEN'S COMPACT WING, AL-7050, HYDROFORMED	CANNONDALE C2 WOMEN'S COMPACT WING, AL-7050, HYDROFORMED	CANNONDALE C2 WOMEN'S COMPACT WING, AL-7050, HYDROFORMED
GRIPS	CANNONDALE 2.5MM SUEDE W/GEL BACKING GRIP TAPE	CANNONDALE 2.5MM SUEDE W/GEL BACKING GRIP TAPE	CANNONDALE 2.5MM SUEDE W/GEL BACKING GRIP TAPE	CANNONDALE 2.5MM SUEDE W/GEL BACKING GRIP TAPE	CANNONDALE 2.5MM SUEDE W/GEL BACKING GRIP TAPE
STEM	CANNONDALE C3, 6061 3D FORGED ALLOY, 31.8MM, 6 DEG.	FSA SL-K, 6 DEGREE, 31.8	CANNONDALE C2, 6 DEGREE, 31.5	CANNONDALE C2, 6 DEGREE, 31.6	CANNONDALE C2, 6 DEGREE, 31.7
HEADSET	CAAD10, 1-1/4" LOWER BEARING, 25MM CARBON TOP CAP	SYNAPSE SI, 25MM CARBON TOP CAP	SYNAPSE SI, 25MM CARBON TOP CAP	SYNAPSE SI, 25MM TOP CAP	SYNAPSE SI, 25MM TOP CAP
BRAKES	TEKTRO R580	SRAM RED	SHIMANO ULTEGRA 6700	SRAM CALIPER W/SWISSSTOP BRAKE PADS	TEKTRO R580
BRAKE LEVERS	SHIMANO 105 5700 W'REACH ADJUST	SRAM RED W'REACH ADJUST	SHIMANO ULTEGRA 6700	SRAM RIVAL W'REACH ADJUST	SHIMANO 105 5700
SADDLE	PROLOGO KAPPA DEA, PROT 2.0 RAILS	FI'ZIK VESTA, KJUM RAILS	FI'ZIK VESTA, MANGANESE RAILS	PROLOGO KAPPA DEA, PROT 2.0 RAILS	PROLOGO KAPPA DEA, PROT 2.0 RAILS
SEATPOST	CANNONDALE C3 CARBON WRAP, 27.2MM, 300MM	SYNAPSE SAVE PLUS MULTIFLEX	SYNAPSE SAVE PLUS MULTIFLEX	SYNAPSE SAVE PLUS MULTIFLEX	SYNAPSE SAVE PLUS MULTIFLEX
SIZES	44, 48, 51, 54CM	44, 48, 51, 54CM	44, 48, 51, 54CM	44, 48, 51, 54CM	44, 48, 51, 54CM
COLOR 1 (CODE)	BRUSHED ALUMINUM W/ULTRA BLUE (GLOSS) (RAW)	MAGNESIUM WHITE, FINE SILVER W/RUBY RED (GLOSS) (WHT)	MAGNESIUM WHITE, FINE SILVER W/TIFFANY BLUE (GLOSS) (WHT)	EXPOSED CARBON, FINE SILVER W/CABERNET (GLOSS) (CAB)	INDIGO BLUE, MAGNESIUM WHITE W/TIFFANY BLUE (GLOSS) (BLU)
COLOR 2 (CODE)	MAGNESIUM WHITE W/PORCELAIN BLUE (GLOSS) (WHT)				NEARLY BLACK, JET BLACK W/GREEN APPLE (GLOSS) (GRY)

WOMEN'S ROAD SPECIFICATIONS

	SYNAPSE CARBON WOMEN'S 6 APEX	SYNAPSE ALLOY WOMEN'S 5 105	SYNAPSE ALLOY WOMEN'S 6 TIAGRA	SYNAPSE ALLOY WOMEN'S 7 SORA	SLICE WOMEN'S 2 FORCE
CODE	2RW6C6	2RW5C, 2RW5T	2RW6C, 2RW6T	2RW7C, 2RW7T	2RWM2C
FRAME	SYNAPSE WOMEN'S, FULL CARBON, SAVE PLUS, BB30	WOMEN'S SYNAPSE ALLOY, OPTIMIZED 6061 ALLOY, SAVE PLUS, BB30	WOMEN'S SYNAPSE ALLOY, OPTIMIZED 6061 ALLOY, SAVE PLUS, BB30	WOMEN'S SYNAPSE ALLOY, OPTIMIZED 6061 ALLOY, SAVE PLUS, BB30	SLICE WOMEN'S, FULL CARBON, AERO SAVE, BB30
FORK	SYNAPSE, FULL CARBON, SAVE PLUS, 1-1/8"	SYNAPSE SAVE, CARBON BLADES, 1-1/8"	SYNAPSE SAVE, CARBON BLADES, 1-1/8"	SYNAPSE SAVE, CARBON BLADES, 1-1/8"	SLICE AERO, FULL CARBON, 1-1/8"
RIMS	SHIMANO R501A	SHIMANO RS10	SHIMANO RS10	MADDEX R3.0, 28 HOLE	MADDEX AERO G40 (650C/700C), 28 HOLE
HUBS	SHIMANO R501A	SHIMANO RS10	SHIMANO RS10	FORMULA RB51, RB52	FORMULA RB51, RB52
SPOKES	SHIMANO R501A	SHIMANO RS10	SHIMANO RS10	STAINLESS 15G	STAINLESS 15G
TIRES	SCHWALBE LUGANO, 700X25C	SCHWALBE LUGANO, 700X25C	SCHWALBE LUGANO, 700X25C	SCHWALBE LUGANO, 700X25C	SCHWALBE LUGANO, 700X25C / VITTORIA RUBINO, 650X23C
PEDALS	N/A	TEST RIDE PLATFORM	TEST RIDE PLATFORM	TEST RIDE PLATFORM	N/A
CRANK	FSA OMEGA BB30, 50/34	FSA GOSSAMER, BB30, 50/34 (OPTION: TRIPLE 50/39/30)	FSA OMEGA BB30, 50/34 (OPTION: TRIPLE 50/39/30)	FSA OMEGA BB30, 50/34 (OPTION: TRIPLE 50/39/30)	FSA VERO, 50/34 (OPTION: TRIPLE 50/39/30)
BOTTOM BRACKET	FSA BB30	FSA BB30	FSA BB30	FSA BB30	FSA POWER DRIVE
CHAIN	KMC X10 W/MISSING LINK	KMC X10, 10-SPEED	KMC X10, 10-SPEED	KMC X10, 10-SPEED	KMC DX10SL
REAR COGS	SRAM PG-1050, 11-32, 10-SPEED	SHIMANO TIAGRA 4600, 12-28, 10-SPEED	SHIMANO TIAGRA 4600, 12-28, 10-SPEED	SHIMANO TIAGRA 4600, 12-28, 10-SPEED	SRAM PG-950, 12-26, 9-SPEED
FR. DERAILLEUR	SRAM APEX, BRAZE-ON	SHIMANO 105 5700, 34.9 CLAMP	SHIMANO 105 5700, 34.9 CLAMP	SHIMANO 105 5700, 34.9 CLAMP	SHIMANO SORA, 34.9 CLAMP
REAR DERAILLEUR	SRAM APEX W/FLI	SHIMANO 105 5700	SHIMANO 105 5700	SHIMANO TIAGRA 4600	SHIMANO SORA
SHIFTERS	SRAM APEX W'REACH ADJUST	SHIMANO 105 5700 W'REACH ADJUST SHIMS	CANNONDALE C3 WOMEN'S COMPACT WING, BUTTED 6061 ALLOY	SHIMANO TIAGRA 4600 W'REACH ADJUST SHIMS	SHIMANO SORA W'REACH ADJUST SHIMS
HANDLEBAR	CANNONDALE C3 WOMEN'S COMPACT WING, BUTTED 6061 ALLOY	CANNONDALE C3 WOMEN'S COMPACT WING, BUTTED 6061 ALLOY	CANNONDALE C3 WOMEN'S COMPACT WING, BUTTED 6061 ALLOY	CANNONDALE C4 WOMEN'S COMPACT, 6061 ALLOY	CANNONDALE C4 WOMEN'S COMPACT, 6061 ALLOY
GRIPS	CANNONDALE 2.5MM SUEDE W/GEL BACKING GRIP TAPE	CANNONDALE 2.5MM SUEDE W/GEL BACKING GRIP TAPE	CANNONDALE 2.5MM SUEDE W/GEL BACKING GRIP TAPE	CANNONDALE 2.5MM SUEDE W/GEL BACKING GRIP TAPE	CANNONDALE 2.5MM SUEDE W/GEL BACKING GRIP TAPE
STEM	CANNONDALE C3, 31.8, 6 DEG	CANNONDALE C3, 31.8, 6 DEG	CANNONDALE C3, 31.8, 6 DEG	CANNONDALE C4, 31.8, 6 DEG	CANNONDALE C4, 31.8, 6 DEG
HEADSET	SYNAPSE SI, 25MM TOP CAP	SYNAPSE SI, 25MM TOP CAP	SYNAPSE SI, 25MM TOP CAP	SYNAPSE SI, 25MM TOP CAP	SLICE, SI, 15MM TOP CAP
BRAKES	SRAM APEX	TEKTRO R539, LONG REACH	CANNONDALE C4 W/CARTRIDGE PADS	CANNONDALE C4 W/CARTRIDGE PADS	SRAM RIVAL
BRAKE LEVERS	SRAM APEX W'REACH ADJUST	SHIMANO TIAGRA 4600	SHIMANO SORA	SHIMANO SORA	AERO ALLOY LEVER
SADDLE	PROLOGO KAPPA DEA, PROT 2.0 RAILS	CANNONDALE WOMEN'S RAVEN	CANNONDALE WOMEN'S RAVEN	CANNONDALE WOMEN'S RAVEN	PROLOGO TRI40 DEA, PROT 2.0 RAILS
SEATPOST	SYNAPSE SAVE PLUS MULTIFLEX	CANNONDALE C3, 27.2X300MM, CARBON WRAP	CANNONDALE C4, ALLOY, 27.2X300MM	CANNONDALE C4, ALLOY, 27.2X300MM	CANNONDALE SLICE CARBON AERO, 2 POSITION, 350MM
SIZES	44, 48, 51, 54CM	44, 48, 51, 54, 56CM	44, 48, 51, 54, 56CM	44, 48, 51, 54, 56CM	44, 48, 51, 54, 56CM
COLOR 1 (CODE)	EXPOSED CARBON, MAGNESIUM WHITE W/ULTRA BLUE (GLOSS) (BLK)	CABERNET W/MAGNESIUM WHITE AND VIOLET MIST (GLOSS) (CAB)	JET BLACK W/BERSERKER GREEN PEAR 1 (GLOSS) (BLK)	JET BLACK W/BERSERKER GREEN PEAR 1 (GLOSS) (BLK)	MAGNESIUM WHITE W/OCEAN TROPIC AND PORCELAIN BLUE (GLOSS) (WHT)
COLOR 2 (CODE)	MAGNESIUM WHITE, STEALTH GRAY W/PEACHY KEEN (GLOSS) (WHT)	COMPACT ONLY: MAGNESIUM WHITE W/RUBY RED (GLOSS) (WHT)	PORCELAIN BLUE W/WHITE PEARL (GLOSS) (BLU)	PORCELAIN BLUE W/WHITE PEARL (GLOSS) (BLU)	

WOMEN'S ROAD SPECIFICATIONS

	SLICE WOMEN'S 5 105	SCARLET 2	LEXI 0	LEXI 1
CODE	2RW55C	2VNW2	2VLW0	2VLW1
FRAME	SLICE WOMEN'S, FULL CARBON, AERO SAVE, BB30	SCARLET, 150/90MM, SMARTFORMED ALLOY, BB30, ISCG03, X-12, 1.5" SI HEAD TUBE	LEXI, 120MM, SMARTFORMED ALLOY, BB30, 1.5" SI HEAD TUBE	LEXI, 120MM, SMARTFORMED ALLOY, BB30, 1.5" SI HEAD TUBE
FORK	SLICE AERO, FULL CARBON, 1-1/8"	FOX 32 TALAS RL W/CUSTOM LOCKOUT THRESHOLD, 150 MM, 15QR THRU AXLE, 1.5"	LEFTY ULTRA W/XLR, 120MM, OPI, SOLO AIR W/ HYDRAULIC REMOTE	LEFTY ULTRA PBR, 120MM, OPI, SOLO AIR
RIMS	MADDEX AERO G40 (650C/700C)	FOX RP2 RT2 DUAL SHOCK, 150/90MM	FOX RP2 W/BOOST VALVE	FOX RP2 W/BOOST VALVE
HUBS	FORMULA RB51, RB52	DT SWISS CHAMPION	SUN RINGLE INFERNO 25, 32 HOLE	DT SWISS 1.5, 24 HOLE
SPOKES	DT SWISS CHAMPION	SCHWALBE LUGANO, 700X23C / VITTORIA RUBINO, 650X23C	DT SWISS LEFTY FRONT, DT SWISS 370 REAR	DT SWISS LEFTY FRONT, DT SWISS 370 REAR
TIRES				
PEDALS	N/A	N/A	DT SWISS CHAMPION	DT SWISS COMPETITION
CRANK	FSA GOSSAMER PRO BB30, 50/34 (650C, 53/39)	SCHWALBE HANS DAMPF, 26X2.35", FOLDING	SCHWALBE RACING RALPH PACE STAR EVO, 26X2.25", FOLDING	SCHWALBE RACING RALPH PERFORMANCE, 26X2.25", FOLDING
BOTTOM BRACKET	FSA BB30	N/A	N/A	N/A
CHAIN	SHIMANO 105 5700	SRAM S1000 BB30, 44/33/22	SRAM S2210 CARBON BB30, 38/26	FSA AFTERBURNER BB30, 42/32/24
REAR COGS	SHIMANO 105 5700, 11-28, 10-SPEED	SRAM BB30	FSA BB30	FSA BB30
FR. DERAILLEUR	SHIMANO 105, 5700, BRAZE-ON	KMC X10, 10-SPEED	KMC X10SL, 10-SPEED	KMC X10SL, 10-SPEED
REAR DERAILLEUR	SHIMANO 105 5700	SRAM PG-1030, 11-36, 10-SPEED	SRAM PG-1070, 11-36, 10-SPEED	SHIMANO HG81, 11-36, 10-SPEED
SHIFTERS	SHIMANO 105 5700	SRAM X7, DIRECT MOUNT	SRAM X9, 34.9 HIGH CLAMP	SHIMANO SLX, 34.9 HIGH CLAMP
HANDLEBAR	CANNONDALE C3 AERO BAR, 31.8 W/FSA TRI MAX TEAM CLIP ONS	SRAM X7	SRAM X0	SHIMANO XT
GRIPS	CANNONDALE 2.5MM SUEDE W/GEL BACKING GRIP TAPE	CANNONDALE C2 RISER, 640X20MM, 2014 ALLOY	SRAM X0	SHIMANO XT
STEM	CANNONDALE C3, 6061 3D FORGED ALLOY, 31.8MM, 6 DEG.	CANNONDALE C2 RISER, 640X20MM, 2014 ALLOY	CANNONDALE C2 RISER, 640X20MM, 2014 ALLOY	CANNONDALE C2 RISER, 640X20MM, 2014 ALLOY
HEADSET	SLICE, SI, 15MM TOP CAP	CANNONDALE DUAL DENSITY LOCK-ON GRIPS	CANNONDALE DUAL DENSITY LOCK-ON GRIPS	CANNONDALE DUAL DENSITY LOCK-ON GRIPS
BRAKES	TEKTRO R580	CANNONDALE C2, 1.5", 31.8	CANNONDALE OPI ADJUSTABLE, 6 DEGREE, 31.8	CANNONDALE OPI ADJUSTABLE, 6 DEGREE, 31.8
BRAKE LEVERS	AERO ALLOY LEVER	TANGE SEIKI, 1.5", INTEGRATED	HEADSHOK	HEADSHOK
SADDLE	PROLOGO TRI40 DEA, PROT 2.0 RAILS	AVID ELIXIR 5, 180/180MM	AVID ELIXIR 9 CRB, 160/160MM	MAGURA MT4 CARBON, 180/160MM
SEATPOST	CANNONDALE SLICE CARBON AERO, 2 POSITION, 350MM	AVID ELIXIR 5	AVID ELIXIR 9 CRB, CARBON LEVER	MAGURA MT4 CARBON
SIZES	47, 51, 54CM	PROLOGO VERTIGO MAX DEA, PROT 2.0 RAILS	PROLOGO NAGO EVO	

WOMEN'S MOUNTAIN SPECIFICATIONS

	LEXI 2	LEXI 3	TRAIL SL WOMEN'S 2
CODE	ZVLW2	ZVLW3	ZFSW2
FRAME	LEXI, 120MM, SMARTFORMED ALLOY, BB30, 1.5" SI HEAD TUBE	LEXI, 120MM, SMARTFORMED ALLOY, BB30, 1.5" SI HEAD TUBE	TRAIL SL WOMEN'S, OPTIMIZED 6061 ALLOY, SAVE, 1.5" HEAD TUBE
FORK	ROCKSHOX RECON GOLD TK, 120MM, SOLO AIR, LOCKOUT, REBOUND, 1.5"	ROCKSHOX RECON SILVER TK, 120MM, SOLO AIR, LOCKOUT, REBOUND, 1.5"	ROCKSHOX RECON SILVER TK, 100MM, SOLO AIR, LOCKOUT, REBOUND, 1.5"
REAR SHOCK	ROCKSHOX MONARCH RT	X FUSION E1 RL, W/PEDAL PLATFORM	N/A
RIMS	SUN RINGLE SR25, DOUBLE WALL W/EYELET, 28 HOLE	MADDUX DC3.0, DOUBLE WALL W/EYELET, 28 HOLE	MADDUX DC3.0, DOUBLE WALL W/EYELET, 28 HOLE
HUBS	FORMULA, DC20 SL FRONT, DC22 REAR	FORMULA, DC20 SL FRONT, DC22 REAR	FORMULA CDH20 FRONT, FORMULA CDH22 REAR
SPOKES	DT SWISS COMPETITION	DT SWISS COMPETITION	STAINLESS STEEL, BLACK, 15G
TIRES	SCHWALBE RACING RALPH PERFORMANCE, 26X2.25", FOLDING	KENDA SLANT 6, 26X2.1", FOLDING	SCHWALBE RAPID ROB, 2.1"
PEDALS	FPD ALLOY PLATFORM	FPD ALLOY PLATFORM	FPD PLATFORM
CRANK	SRAM S1000 BB30, 44/34/24	SHIMANO M430-8, 44/32/22	SRAM S800 3.1, 44/33/22
BOTTOM BRACKET	SRAM BB30	SHIMANO OCTALINK	SRAM POWERSPLINE
CHAIN	KMC X10, 10-SPEED	KMC X9, 9-SPEED	KMC X10, 10-SPEED
REAR COGS	SRAM PG-1030, 11-36, 10-SPEED	SRAM PG-950, 11-34, 9-SPEED	SHIMANO HG62, 11-36, 10-SPEED
FR. DERAILLEUR	SRAM X-7, 34.9 HIGH CLAMP	SHIMANO ALIVIO, 34.9 HIGH CLAMP	SRAM X5
REAR DERAILLEUR	SRAM X-9	SHIMANO DEORE	SRAM X5, 10-SPEED
SHIFTERS	SRAM X-7	SHIMANO DEORE	SRAM X5
HANDLEBAR	CANNONDALE C3 RISER, 640X20MM, 6061 ALLOY	CANNONDALE C3 RISER, 640X20MM, 6061 ALLOY	CANNONDALE C3 RISER, 620X20MM, 6061 ALLOY
GRIPS	CANNONDALE DUAL DENSITY LOCK-ON GRIPS	CANNONDALE DUAL DENSITY LOCK-ON GRIPS	CANNONDALE ALLOY LOCKING GRIPS W/CLOSED END
STEM	CANNONDALE C4, 1.5", 31.8	CANNONDALE C4, 1.5", 31.8	CANNONDALE C4, 1.5", 31.8, 7 DEGREE
HEADSET	TANGE SEIKI, 1.5", INTEGRATED	TANGE SEIKI, 1.5", INTEGRATED	TANGE CUSTOM 1.5"
BRAKES	AVID ELIXIR 3, 180/160MM	SHIMANO M446, HYDRAULIC DISC, 185/160MM	AVID ELIXIR 1 HYDRAULIC DISC, 160/160MM
BRAKE LEVERS	AVID ELIXIR 3	SHIMANO M445	AVID ELIXIR 1
SADDLE	CANNONDALE WOMEN'S XC, CRO-MO RAILS	CANNONDALE WOMEN'S XC	CANNONDALE WOMEN'S XC W/AIRFLOW
SEATPOST	CANNONDALE C4, 31.6X350MM	CANNONDALE C4, 31.6X350MM	CANNONDALE C4, 31.6X350MM
SIZES	P, S, M	P, S, M	P, S, M, T
COLOR 1 (CODE)	NEARLY BLACK W/PORCELAIN BLUE (GLOSS) (GRY)	MAGNESIUM WHITE W/ROSY TOMORROW (GLOSS) (WHT)	JET BLACK (MATTE) (BBQ)
COLOR 2 (CODE)			

WOMEN'S MOUNTAIN SPECIFICATIONS

	TRAIL WOMEN'S 6
CODE	ZFTW6
FRAME	TRAIL WOMEN'S, DOUBLE BUTTED 6061 ALLOY, SAVE, 1-1/8" HEAD TUBE
FORK	RST GILA T, 100MM, W/SOFTER SPRING, 1-1/8"
REAR SHOCK	N/A
RIMS	ALEX DC4.5, DOUBLE WALL, 28 HOLE
HUBS	FORMULA, DC20 FRONT, DC22 REAR
SPOKES	STAINLESS STEEL, 15G
TIRES	KENDA SMALL BLOCK 8, 2.1"
PEDALS	FPD PLATFORM
CRANK	SHIMANO, FC-M191, 42/34/24
BOTTOM BRACKET	TANGE SEIKI LN-3912
CHAIN	KMC Z-72, 8-SPEED
REAR COGS	SUNRACE M56, 12-32, 8-SPEED
FR. DERAILLEUR	SHIMANO FD-M190, 34.9 CLAMP
REAR DERAILLEUR	SHIMANO ACERA
SHIFTERS	SHIMANO ACERA
HANDLEBAR	CANNONDALE C4 RISER, 620X30MM, 6061 ALLOY
GRIPS	CANNONDALE DUAL DENSITY GRIPS
STEM	CANNONDALE C4, 31.8, 7 DEGREE
HEADSET	TANGE SEIKI ER2 SLIM STACK
BRAKES	TEKTRO NOVELA MECHANICAL DISC, 160/160MM
BRAKE LEVERS	CANNONDALE C4
SADDLE	CANNONDALE WOMEN'S XC W/AIRFLOW
SEATPOST	CANNONDALE C4, 31.6X350MM
SIZES	P, S, M, T
COLOR 1 (CODE)	CABERNET (MATTE) (CAB)
COLOR 2 (CODE)	MAGNESIUM WHITE (GLOSS) (WHT)
EXTRAS	

WOMEN'S RECREATION / URBAN SPECIFICATIONS

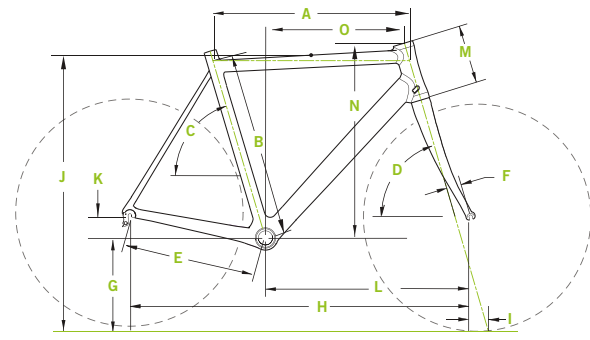
	QUICK SL WOMEN'S 2	QUICK WOMEN'S 3	QUICK WOMEN'S 4
CODE	ZQRW2	ZQRW3	ZQRW4
FRAME	QUICK SL WOMEN'S, OPTIMIZED 6061 ALLOY, SAVE	QUICK WOMEN'S, BUTTED 6061 ALLOY, SAVE	QUICK WOMEN'S, BUTTED 6061 ALLOY, SAVE
FORK	QUICK, CARBON BLADES, 1-1/8" STEERER	QUICK, CARBON BLADES, 1-1/8" STEERER	QUICK, CARBON BLADES, 1-1/8" STEERER
REAR SHOCK	N/A	N/A	N/A
RIMS	ELEMENT C3 - 700C (26" ON XS)	ELEMENT C3	ELEMENT C3 - 700C (26" ON XS)
HUBS	ELEMENT C3	ELEMENT C3	ELEMENT C3
SPOKES	ELEMENT XERO STAINLESS	ELEMENT XERO STAINLESS	ELEMENT XERO STAINLESS
TIRES	CONTINENTAL SPORT CONTACT, 700X32C (26X1.3" ON XS)	CONTINENTAL CITY CONTACT, 700X32C	KENDA KWICK TRAX, 700X32C (26X1.5" ON XS)
PEDALS	QUICK ALLOY W/KRATON INSERTS	QUICK ALLOY W/KRATON INSERTS	QUICK, REINFORCED COMPOSITE W/KRATON INSERTS
CRANK	SHIMANO SORA, 50/39/30	SHIMANO M431, 48/36/26	SHIMANO M171, 48/38/28
BOTTOM BRACKET	SHIMANO SORA	TANGE SEIKI CARTRIDGE BB	TANGE SEIKI CARTRIDGE BB
CHAIN	KMC Z99, 9-SPEED	KMC Z99, 9-SPEED	KMC Z99, 9-SPEED
REAR COGS	SRAM PG950, 12-26, 9-SPEED	SRAM PG950, 12-26, 9-SPEED	SUNRACE CSM668, 11-32, 8-SPEED
FR. DERAILLEUR	SHIMANO R443, 31.8 CLAMP	SHIMANO ALIVIO, 31.8 CLAMP	SHIMANO M191, 31.8 CLAMP
REAR DERAILLEUR	SHIMANO SORA	SHIMANO DEORE	SHIMANO ALIVIO
SHIFTERS	SHIMANO R440	SHIMANO ALIVIO	SHIMANO M310 RAPIDFIRE PLUS
HANDLEBAR	CANNONDALE C3, BUTTED 6061 ALLOY, 25MM RISE, 600MM	CANNONDALE C4, 6061 ALLOY, 25MM RISE, 600MM	CANNONDALE C4, 6061 ALLOY, 25MM RISE, 600MM
GRIPS	CANNONDALE URBAN ERGO LOCK-ON	CANNONDALE URBAN ERGO LOCK-ON	CANNONDALE URBAN ERGO LOCK-ON
STEM	CANNONDALE C3, 6061 ALLOY, 31.8, 12 DEG	CANNONDALE C4, 6061 ALLOY, 31.8, 12 DEG	CANNONDALE C4, 6061 ALLOY, 31.8, 12 DEG
HEADSET	TANGE SI	TANGE SI	TANGE SI
BRAKES	CANNONDALE C2 MINI V, CARTRIDGE PADS	CANNONDALE C3 MINI V, CARTRIDGE PADS	CANNONDALE C4 MINI V
BRAKE LEVERS	TEKTRO R381A, SHORT REACH W/KRATON	TEKTRO R381A, SHORT REACH W/KRATON	CANNONDALE C3, SHORT REACH
SADDLE	CANNONDALE QUICK ERGO WOMEN'S PERFORMANCE	CANNONDALE QUICK ERGO WOMEN'S PERFORMANCE	CANNONDALE QUICK ERGO WOMEN'S PERFORMANCE
SEATPOST	CANNONDALE C3, 6061 ALLOY, 2 BOLT, 27.2X350MM	CANNONDALE C4, 6061 ALLOY, 27.2X350MM	CANNONDALE C4, 6061 ALLOY, 27.2X350MM
SIZES	XS (26"), P, S, T	P, S, T	XS (26"), P, S, T
COLOR 1 (CODE)	CABERNET W/WHITE PEARL AND VIOLET MIST (GLOSS) (CAB)	JET BLACK W/ULTRA BLUE (GLOSS) (BLK)	FINE SILVER W/CABERNET (GLOSS) (SLV)
COLOR 2 (CODE)		MAGNESIUM WHITE W/ROSY TOMORROW (GLOSS) (WHT)	MAGNESIUM WHITE W/RUBY RED (GLOSS) (WHT)
EXTRAS			

WOMEN'S RECREATION / URBAN SPECIFICATIONS

	QUICK WOMEN'S 5	QUICK CX WOMEN'S 2	QUICK CX WOMEN'S 3
CODE	ZQRW5	(ZQXW2)	ZQXW3
FRAME	QUICK WOMEN'S, BUTTED 6061 ALLOY, SAVE	QUICK CX WOMEN'S, OPTIMIZED 6061 ALLOY, SAVE, 1-1/8" HEAD TUBE	QUICK CX WOMEN'S, OPTIMIZED 6061 ALLOY, SAVE, 1-1/8" HEAD TUBE
FORK	QUICK, 6061 ALLOY, 1-1/8" STEERER	RST NEON PRO 1-1/8" TREKKING TNL LOCKOUT, 50MM	RST NEON PRO 1-1/8" TREKKING ML LOCKOUT, 50MM
RIMS	CANNONDALE C4, DOUBLE WALL, 32 HOLE	MADDUX DC3.0, DOUBLE WALL W/EYELET, 32 HOLE	MADDUX DC3.0, DOUBLE WALL W/EYELET, 32 HOLE
HUBS	CANNONDALE C4	CANNONDALE C4	CANNONDALE C4
SPOKES	STAINLESS, 15G	STAINLESS STEEL, 15G, BLACK	STAINLESS STEEL, 15G
TIRES	KENDA KWICK TRAX, 700X32C	CONTINENTAL DOUBLE FIGHTER II, 700X37C	CONTINENTAL DOUBLE FIGHTER II, 700X37C
PEDALS	QUICK, REINFORCED COMPOSITE W/KRATON INSERTS	CANNONDALE PLATFORM, REINFORCED RESIN BODY	CANNONDALE PLATFORM, REINFORCED RESIN BODY
CRANK	SHIMANO M131, 48/38/28	SHIMANO M391, 48/36/26	SHIMANO M171, 48/38/28
BOTTOM BRACKET	TANGE SEIKI CARTRIDGE BB	TANGE SEIKI CARTRIDGE BB	TANGE SEIKI CARTRIDGE BB
CHAIN	KMC 8-SPEED	KMC Z99, 9-SPEED	KMC Z82, 8-SPEED
REAR COGS	SUNRACE CSM668, 11-32, 8-SPEED	SHIMANO HG30, 11-32, 9-SPEED	SUNRACE M66, 12-32, 8-SPEED
FR. DERAILLEUR	SHIMANO M191, 31.8 CLAMP	SHIMANO ACERA, 34.9 CLAMP	SHIMANO M191, 34.9 CLAMP
REAR DERAILLEUR	SHIMANO ALTUS	SHIMANO DEORE	SHIMANO ACERA
SHIFTERS	SHIMANO M310 RAPIDFIRE PLUS	SHIMANO ACERA	SHIMANO M310 RAPIDFIRE PLUS
HANDLEBAR	CANNONDALE C4, 6061 ALLOY, 25MM RISE, 600MM	CANNONDALE C3, 6061 DOUBLE BUTTED, 20MM RISE, 620MM	CANNONDALE C4, 6061, 25MM RISE, 620MM
GRIPS	CANNONDALE URBAN ERGO LOCK-ON	CANNONDALE URBAN ERGO LOCK-ON	CANNONDALE URBAN ERGO
STEM	CANNONDALE C4, 6061 ALLOY, 31.8, 12 DEG	CANNONDALE C4, 1-1/8", 3-D FORGED, 31.8, 12 DEG	CANNONDALE C4, 1-1/8", 3-D FORGED, 31.8, 12 DEG
HEADSET	TANGE SI	TANGE 1-1/8"	TANGE 1-1/8"
BRAKES	CANNONDALE C4 MINI V	CANNONDALE HELIX 6 HYDRAULIC DISC, 160/160MM	TEKTRO NOVELA MECHANICAL DISC, 160/160MM
BRAKE LEVERS	CANNONDALE C3 SHORT REACH	CANNONDALE HELIX 6 HYDRAULIC DISC	CANNONDALE C4 SHORT REACH
SADDLE	CANNONDALE QUICK ERGO WOMEN'S PERFORMANCE	CANNONDALE WOMEN'S CX ERGO	CANNONDALE WOMEN'S CX ERGO
SEATPOST	CANNONDALE C4, 6061 ALLOY, 27.2X350MM	CANNONDALE C3, 2 BOLT, 2014 ALLOY, 31.6X350MM	CANNONDALE C4, ALLOY, 31.6X350MM
SIZES	P, S, T	P, S, M, T	P, M, T
COLOR 1 (CODE)	MAGNESIUM WHITE W/INDIGO BLUE AND PORCELAIN BLUE (GLOSS) (WHT)	CHARCOAL GRAY W/TIFFANY BLUE AND PORCELAIN BLUE (GLOSS) (GRY)	MAGNESIUM WHITE W/INDIGO BLUE AND OCEAN TROPIC (GLOSS) (WHT)
COLOR 2 (CODE)	CABERNET (MATTE) (CAB)		
EXTRAS			TRANZ X COMFORT GRIP FRONT & REAR QUICK RELEASE

	ADVENTURE WOMEN'S 3 26"	BAD GIRL 1	BAD GIRL 2	BAD GIRL 3
CODE	ZCSW3	ZBWF1	ZBWF2	ZBWF3
FRAME	ADVENTURE WOMEN'S 26", STEP-THRU, DOUBLE BUTTED 6061 ALLOY	BAD GIRL, OPTIMIZED 6061 ALLOY, HEADSHOK	CANNONDALE FATTY RIGID, 1.5" ALLOY STEERER	BAD GIRL, OPTIMIZED 6061 ALLOY, 1-1/8" HEAD TUBE
FORK	RST SOFI T 26", 50MM, 1-1/8" STEERER	HEADSHOK SOLO DL50, 50MM W/LOCKOUT, OPI	CANNONDALE FATTY RIGID, OPI, 1.5" ALLOY STEERER	CANNONDALE FATTY RIGID, 1-1/8" STEERER
RIMS	CANNONDALE C3, DOUBLE WALL, 26", 32 HOLE	CANNONDALE LEFTY FRONT, SHIMANO M525 REAR	SHIMANO DEORE, M525	MADDUX C3 URBAN SL, 32 HOLE
HUBS	CANNONDALE C4			CANNONDALE C4
SPOKES	STAINLESS, 14G	STAINLESS, XD BLACK, 15G	STAINLESS, XD BLACK, 15G	STAINLESS, XD BLACK, 15G
TIRES	KENDA K1052, 26X2.1"	SCHWALBE KOJAK, 700X28C	SCHWALBE KOJAK, 700X28C	SCHWALBE KOJAK, 700X28C
PEDALS	FPD PLATFORM W/KRATON INSERTS	CANNONDALE URBAN 6POINT3 ALLOY PLATFORM	WELLOG PLATFORM	WELLOG PLATFORM
CRANK	SHIMANO M131, 48/38/28	SHIMANO M431, 48/36/26	SHIMANO M431, 48/36/26	SHIMANO M171, 48/38/28
BOTTOM BRACKET	TANGE CARTRIDGE	TANGE SEIKI LN-3912	TANGE SEIKI CARTRIDGE BB	TANGE SEIKI LN-3912
CHAIN	KMC 8-SPEED	KMC Z99, 9-SPEED	KMC Z99, BLACK, 9-SPEED	SHIMANO HG40, 8-SPEED
REAR COGS	SUNRACE CSM668, 11-32, 8-SPEED	SUNRACE M969, 11-32, 9-SPEED	SUNRACE M969, 11-32, 9-SPEED, BLACK	SUNRACE M66, 11-32, 8-SPEED
FR. DERAILLEUR	SHIMANO M191	SHIMANO DEORE, 34.9 CLAMP	SHIMANO ALIVIO, 34.9 CLAMP	SHIMANO ALTUS, 34.9 CLAMP
REAR DERAILLEUR	SHIMANO ACERA	SHIMANO SLX	SHIMANO DEORE	SHIMANO ALIVIO
SHIFTERS	SHIMANO REVO TWIST TYPE	SHIMANO DEORE	SHIMANO ALIVIO	SHIMANO ALTUS
HANDLEBAR	CANNONDALE C4, 50MM RISE, ALLOY, 600MM	CANNONDALE SI URBAN OPI STEM/HANDLEBAR, 600MM	CANNONDALE SI URBAN OPI STEM/HANDLEBAR, 600MM	CANNONDALE C4 ALLOY, FLAT, 600MM
GRIPS	CANNONDALE ERGO LOCK-ON GRIPS	CANNONDALE CITYSCAPE URBAN LOCK-ON GRIPS, BLACK CHROME	CANNONDALE CITYSCAPE URBAN LOCK-ON GRIPS, BLACK CHROME	CANNONDALE CITYSCAPE URBAN DUAL-DENSITY GRIPS
STEM	TRANZ X COMFORT GRIP, TOOL-FREE ADJUSTMENT, QUILL TYPE	CANNONDALE SI URBAN OPI STEM/HANDLEBAR, 7 DEG	CANNONDALE SI URBAN OPI STEM/HANDLEBAR, 7 DEG	CANNONDALE C4, 31.8, 6 DEG.
HEADSET	TANGE SEMI INTEGRATED	HEADSHOK	TANGE CUSTOM 1.5"	HEADSHOK
BRAKES	CANNONDALE V BRAKE W/MODULATOR	MAGURA MT2 HYDRAULIC DISC, 160/160MM	SHIMANO M446 HYDRAULIC DISC, 160/160MM	TEKTRO NOVELA MECHANICAL DISC, 160/160MM
BRAKE LEVERS	CANNONDALE, 4 FINGER W/KRATON COMFORT INSERT, SHORT REACH	MAGURA MT2	SHIMANO M446	CANNONDALE C4
SADDLE	CANNONDALE ULTRA COMFORT WOMEN'S	CANNONDALE BAD GIRL	CANNONDALE BAD GIRL	CANNONDALE BAD GIRL
SEATPOST	CANNONDALE SUSPENSION, 40MM TRAVEL, 27.2X350MM	CANNONDALE C2, 31.6X350MM	CANNONDALE C3, 31.6X350MM	CANNONDALE C4, 31.6X350MM
SIZES	S, T	S, T	S, T	S, T
COLOR 1 (CODE)	MAGNESIUM WHITE W/TIFFANY BLUE (GLOSS) (WHT)	JET BLACK (MATTE) (BBQ)	JET BLACK (MATTE) (BBQ)	JET BLACK (MATTE) (BBQ)
COLOR 2 (CODE)				
EXTRAS	TRANZ X COMFORT GRIP FRONT & REAR QUICK RELEASE SKEWER, TRANZ X COMFORT GRIP QUICK RELEASE SEAT BINDER			TRANZ X COMFORT GRIP FRONT & REAR QUICK RELEASE SKEWER, TRANZ X COMFORT GRIP QUICK RELEASE SEAT BINDER

WOMEN'S ROAD GEOMETRY



SUPERSIX WOMEN'S

CAAD10 WOMEN'S

SPECIFICATIONS	44	48	51	54	44	48	51	54
A HORIZONTAL TOP TUBE LENGTH (CM)	50.5	51.5	52.0	53.5	50	51.5	52	53.5
B MEASURED SIZE (CM)*	42	46	49	52	42	46	49	52
C SEAT TUBE ANGLE (DEGREES)	76	74.5	74.5	73.5	76	74.5	74.5	73.5
D HEAD TUBE ANGLE (DEGREES)	70.5	72	72.5	73	70.5	72	72.5	73
E CHAIN STAY LENGTH (CM)	40.5	★	★	★	40.5	★	★	★
F FORK RAKE (CM)	4.5	★	★	★	5	★	★	4.5
G BOTTOM BRACKET HEIGHT (CM)	26.5	26.5	26.5	26.8	26.5	★	★	★
H WHEELBASE (CM)	96.3	95.9	96.1	96.3	96.3	95.9	96.1	96.3
I TRAIL (CM)	7.2	6.2	5.9	5.6	71.6	6.2	59.1	56
J STANDOVER AT TOP TUBE MIDPOINT (CM)	71.3	74	76.3	78.9	71.3	74	76.1	78.5
K BOTTOM BRACKET DROP (CM)	7.2	★	★	★	7.2	★	★	★
L FRONT CENTER DISTANCE (CM)	57	56.5	56.7	56.9	56.9	56.5	56.7	56.9
M HEAD TUBE LENGTH (CM)	10.5	11	13	15	10.5	11	13	15
N STACK (CM)	50.5	51.5	53.5	55.6	50.3	51.7	53.4	55.7
O REACH (CM)	36.4	36.9	37.0	37.0	36.5	36.8	36.8	37

* THE MEASURED SIZE IS FROM THE CENTER OF THE BOTTOM BRACKET TO THE TOP OF THE TOP TUBE, MEASURED ALONG THE SEAT TUBE AXIS. ALL SIZES HAVE A SLIGHTLY SLOPING TOP TUBE.

SYNAPSE HI-MOD & SYNAPSE CARBON WOMEN'S

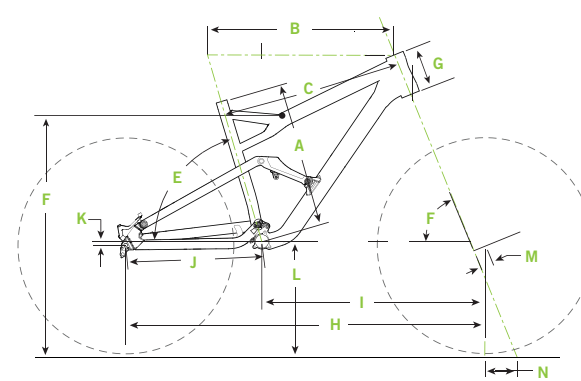
SYNAPSE ALLOY WOMEN'S

SLICE WOMEN'S

SPECIFICATIONS	44	48	51	54	44	48	51	54	56	47	51	54
WHEEL SIZE	700C	★	★	★	★	★	★	★	★	650C	700C	700C
A HORIZONTAL TOP TUBE LENGTH (CM)	50	51	52.5	53.5	50	51	52	53	54.5	49.5	50.5	53.5
B MEASURED SIZE (CM)*	38	42	45	49	40	44	47	50	52	46	50	51.5
C SEAT TUBE ANGLE (DEGREES)	76	74.5	74	74	76	76	74	74	73.5	VARIABLE	VARIABLE	VARIABLE
D HEAD TUBE ANGLE (DEGREES)	70.5	71	72	72.5	70.5	70.5	72	72	72.5	71	71.5	71.5
E CHAIN STAY LENGTH (CM)	41	★	★	★	41.5	★	★	★	★	37	40	40
F FORK RAKE (CM)	5.0	★	★	★	50.0	★	★	★	★	4	4.5	4.5
G BOTTOM BRACKET HEIGHT (CM)	26.5	★	★	★	26.5	★	★	29.5	★	26.5	H	H
H WHEELBASE (CM)	97.2	97.0	97.5	98.2	97.7	97.9	98.0	99.3	98.9	92	95.4	98.5
I TRAIL (CM)	6.6	6.3	5.7	5.4	6.6	6.6	5.7	5.7	5.4	6.6	6.5	6.5
J STANDOVER AT TOP TUBE MIDPOINT (CM)	69.8	72.1	74.4	77.0	71.6	73.2	75.6	77.0	79.0	71.9	74.9	76.4
K BOTTOM BRACKET DROP (CM)	7.2	★	★	★	72.0	72.0	72.0	69.0	69.0	5	7.2	7.2
L FRONT CENTER DISTANCE (CM)	57.3	57.1	57.6	58.3	57.3	57.5	57.6	58.8	58.4	55.6	56.5	59.6
M HEAD TUBE LENGTH (CM)	12.5	13	14.5	16	13	13	14.5	16	18.5	10.3	9	10.5
N STACK (CM)	52.4	53.0	54.8	56.4	52.9	52.9	54.8	56.9	59.2	47.8	49.4	50.9
O REACH (CM)	35.3	35.5	36.3	37.1	35.4	36.8	36.4	36.4	36.8	36.5	37.1	39.8

* THE SLICE SEAT POST HAS TWO POSITIONS FOR MOUNTING THE SADDLE. A FULL RANGE OF ANGLES FROM 73 TO 78 DEGREES IS ACHIEVABLE DEPENDING ON THE RIDER'S PREFERENCE AND/OR THE EVENT.
 ** STACK IS MEASURED VERTICALLY FROM THE CENTER OF THE BB TO THE TOP OF THE HEAD TUBE. REACH IS MEASURED HORIZONTALLY FROM THE CENTER OF THE BB TO THE TOP OF THE HEAD TUBE.
 *** IF YOU RIDE A 54 ROAD FRAME, YOU SHOULD CHOOSE A SIZE 54 SLICE FRAME.

WOMEN'S FULL SUSPENSION GEOMETRY



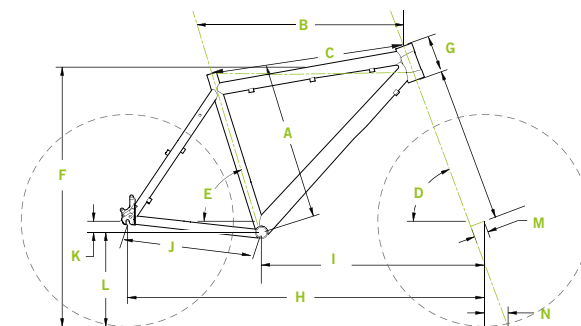
SCARLET

SPECIFICATIONS	PETITE	SMALL	MEDIUM
A SEAT TUBE LENGTH (CM/IN)	40.7/16.0	43.2/17.0	45.7/18.0
B TOP TUBE HORIZONTAL (CM/IN)	54.0/21.3	55.6/21.9	57.2/22.5
C TOP TUBE ACTUAL (CM/IN)	52.1/20.5	53.4/21.0	54.9/21.6
D HEAD TUBE ANGLE	67.6°	67.7°	67.8°
E SEAT TUBE ANGLE EFFECTIVE	73.7°	73.6°	★
F STANDOVER (CM/IN)	71.8/28.3	72.4/28.5	73.0/28.7
G HEAD TUBE LENGTH (CM/IN)	13.4/5.3	★	★
H WHEELBASE (CM/IN)	108.6/42.8	110.0/43.3	113.1/44.5
I FRONT CENTER (CM/IN)	65.8/25.9	67.2/26.5	70.3/27.7
J CHAIN STAY LENGTH (CM/IN)	42.8/16.9	★	★
K BOTTOM BRACKET DROP (CM/IN)	1.2/0.5	★	★
L BOTTOM BRACKET HEIGHT (CM/IN)	35.0/13.8	★	★
M FORK RAKE (CM/IN)	4.0/1.6	★	★
N TRAIL (CM/IN)	9.6/3.8	9.5/3.8	9.5/3.8

LEXI

SPECIFICATIONS	PETITE	SMALL	MEDIUM
A SEAT TUBE LENGTH (CM/IN)	40.6/16.0	43.2/17.0	45.7/18.0
B TOP TUBE HORIZONTAL (CM/IN)	53.0/20.9	56.0/22.0	57.5/22.6
C TOP TUBE ACTUAL (CM/IN)	50.8/20.0	53.5/21.1	55.0/21.7
D HEAD TUBE ANGLE	68.5°	69.0°	69.0°
E SEAT TUBE ANGLE EFFECTIVE	73.5°	★	★
F STANDOVER (CM/IN)	72.9/28.7	73.1/28.8	75.9/29.9
G HEAD TUBE LENGTH - (CM/IN)	13.4/5.3	★	★
H WHEELBASE (CM/IN)	105.2/41.4	107.6/42.4	109.1/43.0
I FRONT CENTER (CM/IN)	62.8/24.7	65.2/25.7	66.6/26.2
J CHAIN STAY LENGTH (CM/IN)	42.5/16.7	★	★
K BOTTOM BRACKET DROP (CM/IN)	0.0/0.0	★	★
L BOTTOM BRACKET HEIGHT (CM/IN)	33.0/13.0	★	★
M FORK RAKE (CM/IN)	4.5/1.8	★	★
N TRAIL (CM/IN)	8.2/3.2	7.8/3.1	7.8/3.1

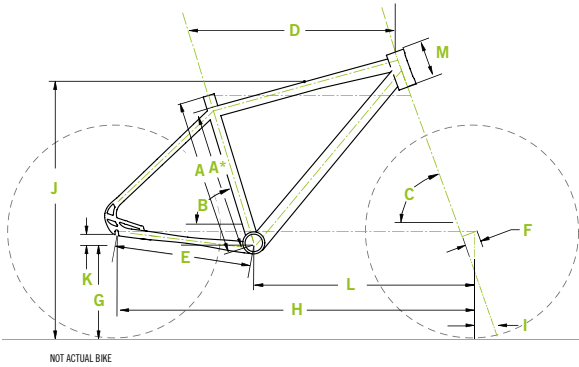
WOMEN'S HARDTAIL GEOMETRY



TRAIL SL WOMEN'S

SPECIFICATIONS	PETITE	SMALL	MEDIUM	TALL
A SEAT TUBE LENGTH (CM/IN)	35.0/13.8	38.0/15	41.5/16.3	45.0/17.7
B TOP TUBE HORIZONTAL (CM/IN)	52.0/20.5	55.0/21.7	57.5/22.6	58.9/23.2
C TOP TUBE ACTUAL (CM/IN)	52.8/20.8	53.9/21.2	55.6/21.9	56.7/22.3
D HEAD TUBE ANGLE	70.0°	★	★	★
E SEAT TUBE ANGLE EFFECTIVE	75.0°	★	★	★
F STANDOVER AT TOP TUBE (CM/IN)	72.9/28.7	74.3/29.3	76.0/29.9	77.7/30.6
G HEAD TUBE LENGTH - (CM/IN)	11.4/4.5	★	★	★
H WHEELBASE (CM/IN)	103.4/40.7	104.7/41.2	107.3/42.2	108.7/42.8
I FRONT CENTER (CM/IN)	61.3/24.1	62.6/24.6	65.1/25.6	66.5/26.2
J CHAIN STAY LENGTH (CM/IN)	42.4/16.7	★	★	★
K BOTTOM BRACKET DROP (CM/IN)	3.5/1.4	★	★	★
L BOTTOM BRACKET HEIGHT (CM/IN)	29.0/11.4	★	★	★
M FORK RAKE (CM/IN)	4.5/1.8	★	★	★
N TRAIL (CM/IN)	7.0/2.8	★	★	★

RECREATION WOMEN'S GEOMETRY



NOT ACTUAL BIKE

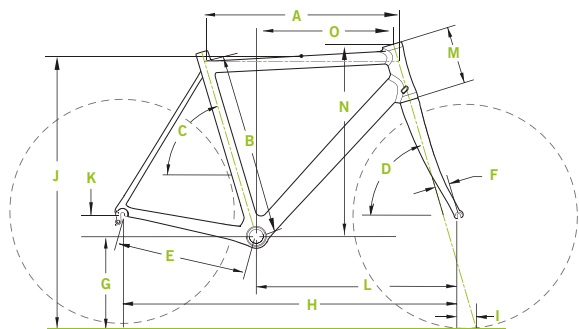
QUICK WOMEN'S

SPECIFICATIONS	XS/26"	PETITE	SMALL	TALL
WHEEL SIZE	26"	700C	700C	700C
A* MEASURED SIZE (CM)*	32.0/12.6	33.0/12.9	38.5/15.2	43.5/17.1
A MEASURED SIZE (CM)	-	-	-	-
B SEAT TUBE ANGLE (DEGREES)	76	75	75	74.5
C HEAD TUBE ANGLE (DEGREES)	70.5	71	70.5	71.5
D HORIZONTAL TOP TUBE LENGTH (CM)	50.5	53.5	53.5	55
E CHAIN STAY LENGTH (CM)	43.5	★	★	★
F FORK RAKE (CM)	5	★	★	★
G BOTTOM BRACKET HEIGHT (CM)	27.4	★	★	★
H WHEELBASE (CM)	100.5	101.8	102.4	103.3
I TRAIL (CM)	6.2	6.6	6.9	6.2
J STANDOVER HEIGHT (CM)	68.9	70.8	74.5	78.5
K BOTTOM BRACKET DROP (CM)	5.1	7	★	★
L FRONT CENTER DISTANCE (CM)	57.5	59.2	60	62.2
M HEAD TUBE LENGTH (CM)	14	12.5	14	18

QUICK CX WOMEN'S SUSPENSION

	PETITE	MEDIUM	TALL
	-	-	-
	-	-	-
	34.0	38.5	43.0
	74.0	74.0	73.5
	69.0	69.0	69.0
	51.0	52.0	★
	45.0	45.0	★
	4.5	4.5	4.5
	27.3	27.3	27.3
	103.3	104.7	105.7
	8.2	8.2	8.2
	66.5	69.5	72.0
	6.6	6.6	6.6
	58.7	★	★
	12.0	14.0	16.0

* THE MEASURED SIZE IS FROM THE CENTER OF THE BOTTOM BRACKET TO THE TOP OF THE TOP TUBE, MEASURED ALONG THE SEAT TUBE AXIS.



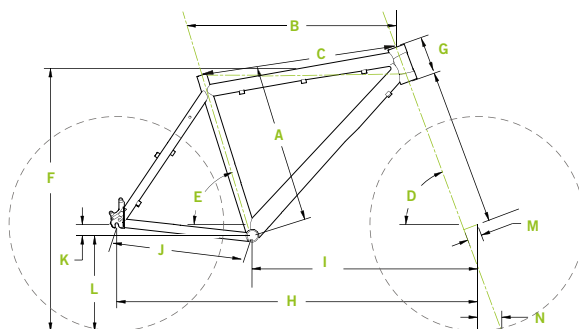
ADVENTURE WOMEN'S

SPECIFICATIONS	SMALL	TALL
A SEAT TUBE LENGTH OVERALL (CM/IN)	36.8/14.5	45.7/18.0
B SEAT TUBE ANGLE (DEGREES)	70	★
C HEAD TUBE ANGLE (DEGREES)	69	★
D HORIZONTAL TOP TUBE LENGTH (CM)	55.5	56.5
E CHAIN STAY LENGTH (CM)	46.5	★
F FORK RAKE (CM)	4.5	★
G BOTTOM BRACKET HEIGHT (CM)	28.0	★
H WHEELBASE (CM)	104.4	105.6
I TRAIL (CM)	8.5	★
J STANDOVER HEIGHT (CM)	59.3	★
K BOTTOM BRACKET DROP (CM)	6.8	★
L FRONT CENTER DISTANCE (CM)	58.8	60.0
M HEAD TUBE LENGTH (CM)	13.6	15.6

ADVENTURE 26" WOMEN'S

	SMALL	TALL
	36.8/14.5	45.7/18.0
	70	★
	69	★
	55.5	56.5
	46.5	★
	4.5	★
	28.0	★
	104.4	105.6
	8.5	★
	59.3	★
	6.8	★
	58.8	60.0
	13.6	15.6

URBAN WOMEN'S GEOMETRY



BAD GIRL HEADSHOK

SPECIFICATIONS	SMALL	TALL
A MEASURED SIZE (CM)	34.0	41.0
B SEAT TUBE ANGLE	74.5	73.5
C HEAD TUBE ANGLE	70.0	71.0
D HORIZONTAL TOP TUBE LENGTH (CM)	51.5	55.5
E CHAIN STAY LENGTH (CM)	42.4	42.4
F FORK RAKE (CM)	4.5	4.5
G BOTTOM BRACKET HEIGHT (CM)	27.3	27.3
H WHEELBASE (CM)	100.9	103.0
I TRAIL (CM)	7.5	6.9
J STANDOVER HEIGHT (CM)	62.4	70.9
K BOTTOM BRACKET DROP (CM)	6.6	6.6
L FRONT CENTER (CM)	59.1	61.1
M HEAD TUBE LENGTH (CM)	11.4	11.4

BAD GIRL RIGID

	SMALL	TALL
	34.0	41.0
	74.5	73.5
	70.0	71.0
	52.0	55.5
	42.4	42.4
	4.5	4.5
	27.3	27.3
	100.9	103.0
	7.5	6.9
	62.4	70.9
	6.6	6.6
	59.1	61.1
	13.0	17.0

INTRO

WELCOME TO THE TEAM.

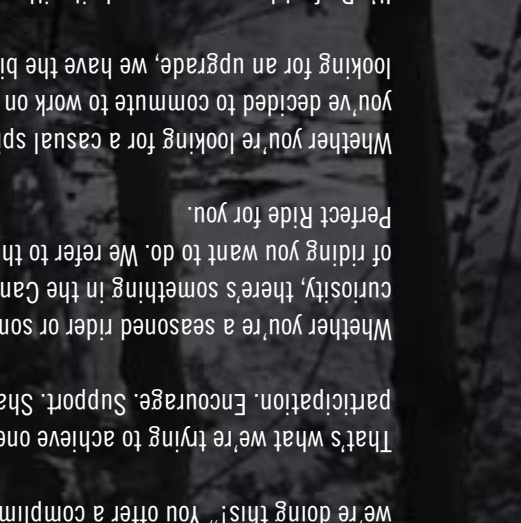
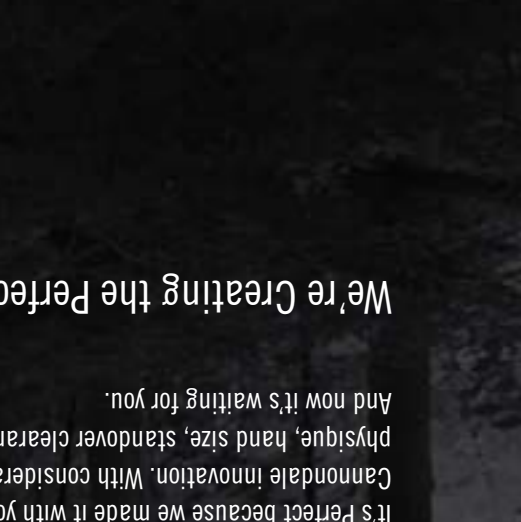
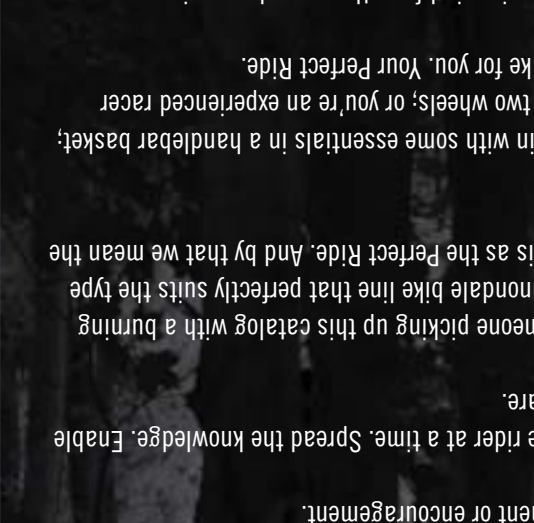
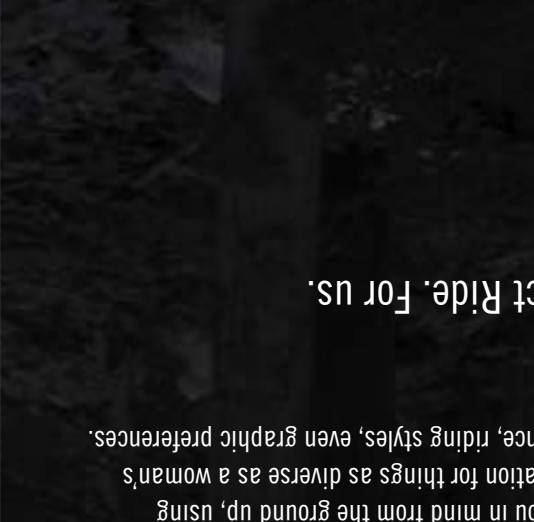
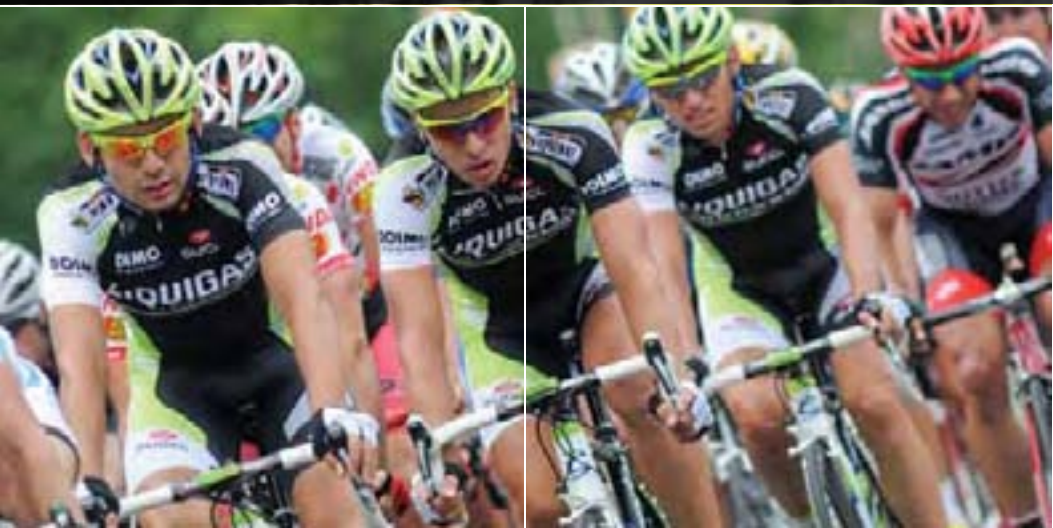
We are extremely proud to have the most innovative athletes as part of the Cannondale team: the precise Liquigas-Cannondale squad, the vivacious Cannondale Factory Racing team, and the mind-bending OverMountain crew. The team also includes record-breaking triathletes and Cyclocross legends. These athletes set the standard, breaking boundaries, leading never following.

But these athletes just scratch the surface of the Cannondale team. There are regional teams, your local shop team and the gang you meet for early morning rides. Few of them truly get acknowledged. But they all understand the value of ride quality and practical engineering. They are our motivation, our compass.

You may not know it, but your team is big, bigger than you think: Ivan Basso climbs the Pyrenees for you. Chrissie Wellington breaks records for you. Tinker Juarez rides every year for you. Tim Johnson slogs through the winter mud for you. Aaron Chase and Mark Weir set trends for you. In addition you have an army of passionate designers, engineers and product managers who are also on your team. None of them settle in the constant pursuit of perfection.

When you pick up a Cannondale bike, the technologies we develop like BallisTec carbon, SAVE micro suspension, Lefty, DYAD RT2, Zero Pivot or BB30 are designed exclusively for you. Whether you cross the finish line on a SuperSix EVO, watch the sun set through the trees on a Scalpel 29'er or take a Bad Girl to the art gallery opening, you will experience the same feeling.

This is what we call the Perfect Ride.



We're Creating the Perfect Ride. For us.

You know what we mean. When you pull up next to another woman cyclist and share that moment of acknowledged respect. That moment of respect. That moment of "Yep, we're doing this!" You offer a compliment or encouragement. That's what we're trying to achieve one rider at a time. Spread the knowledge. Enable participation. Encourage. Support. Share. Whether you're a seasoned rider or someone picking up this catalog with a burning curiosity, there's something in the Cannondale bike line that perfectly suits the type of riding you want to do. We refer to this as the Perfect Ride. And by that we mean the Perfect Ride for you. Whether you're looking for a casual spin with some essentials in a handlebar basket; you've decided to commute to work on two wheels; or you're an experienced racer looking for an upgrade, we have the bike for you. Your Perfect Ride. It's Perfect because we made it with you in mind from the ground up, using Cannondale innovation. With consideration for things as diverse as a woman's physique, hand size, standover clearance, riding styles, even graphic preferences. And now it's waiting for you.

WE'RE IN THIS TOGETHER.

INTRO